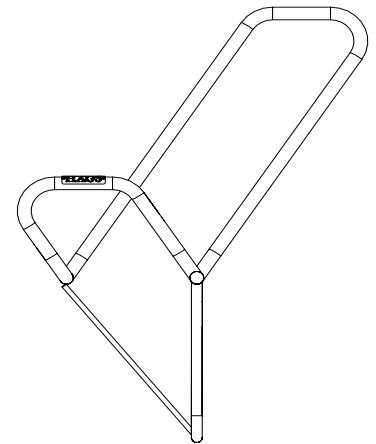
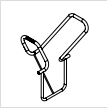
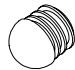
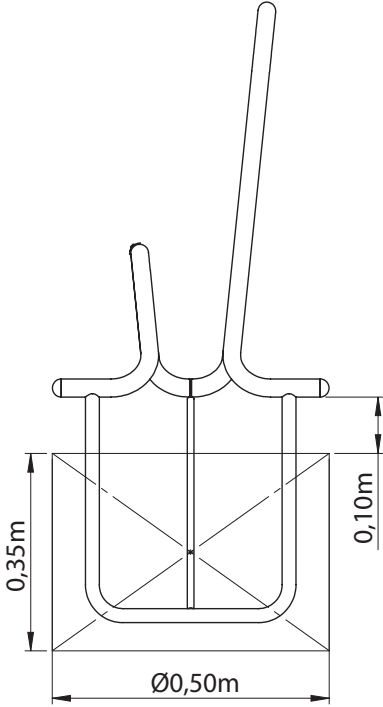
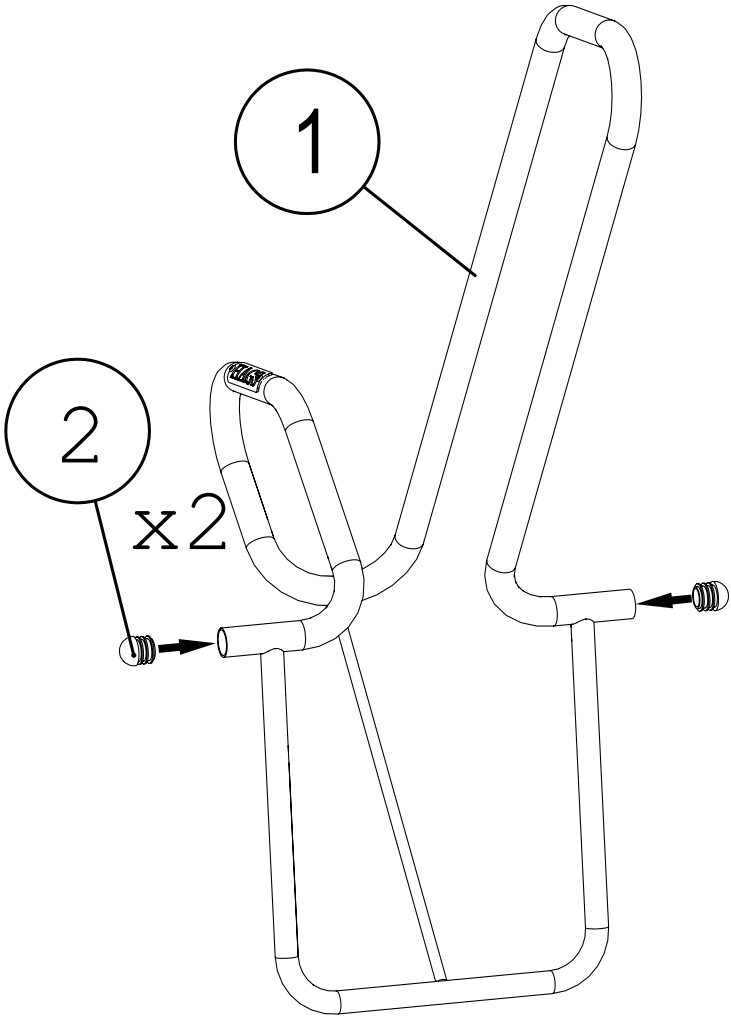
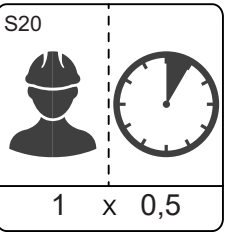
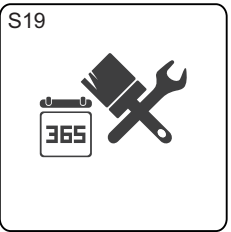
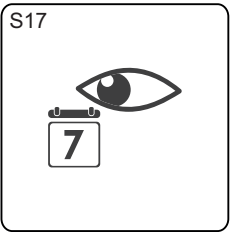


**CC**






1	SW85085		1x	5.97kg
---	---------	--	----	--------

2	43-07296		2x	0.006kg
---	----------	---	----	---------



S25


≤C20/25 S1-S3
 2x24h
 101