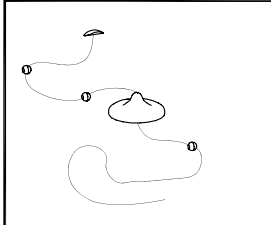

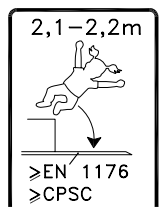
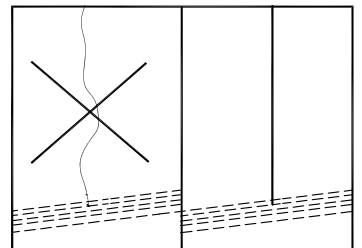




TYPE	HAGS.NO
	41071810
 0,62m	610071-02



<b>HAGS</b>		ANEBY, SWEDEN +46(0)380-47300 www.hags.com	
Button Seat			
420 718 10			
1(1)			
	TJ		MN 2008-01-04 0