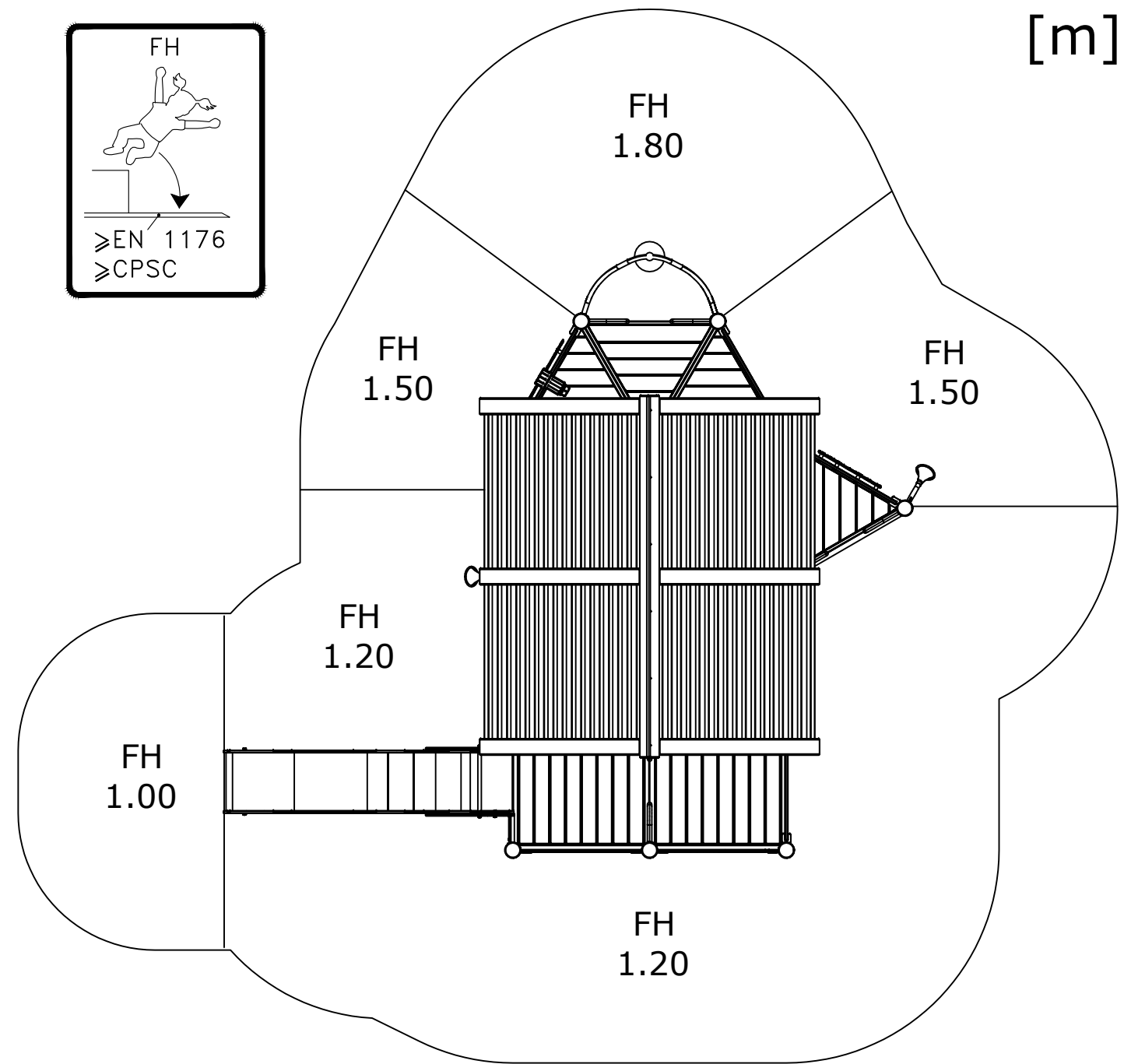
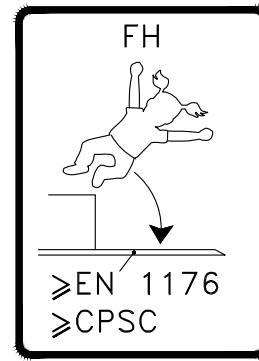
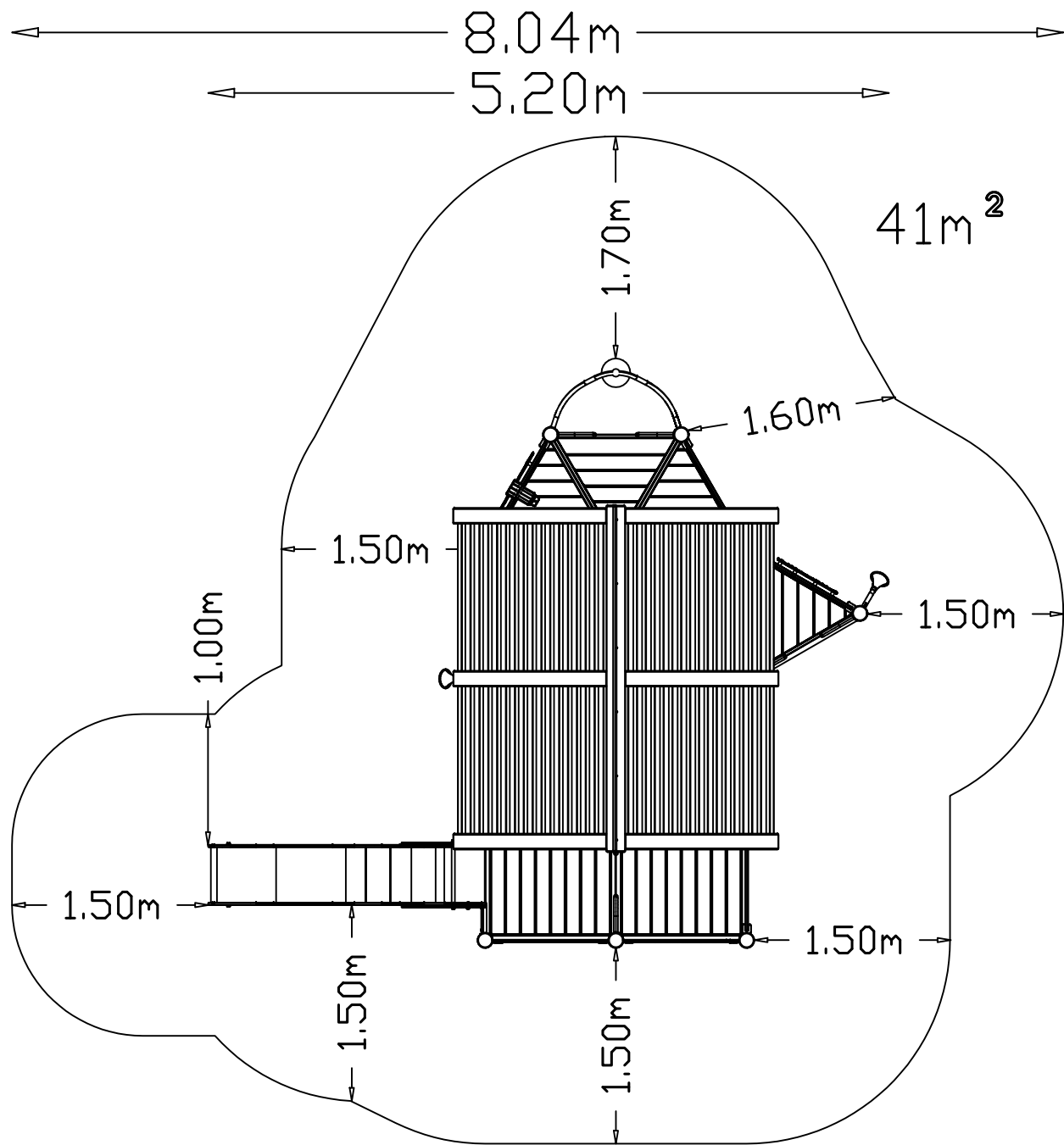


**UniPlay Sikkim**



**HAGS** ANEBY, SWEDEN  
+46(0)380-47300  
www.hags.com

UniPlay Sikkim  
MASW65098  
1/8

JW JW 2023-06-12 1



59h



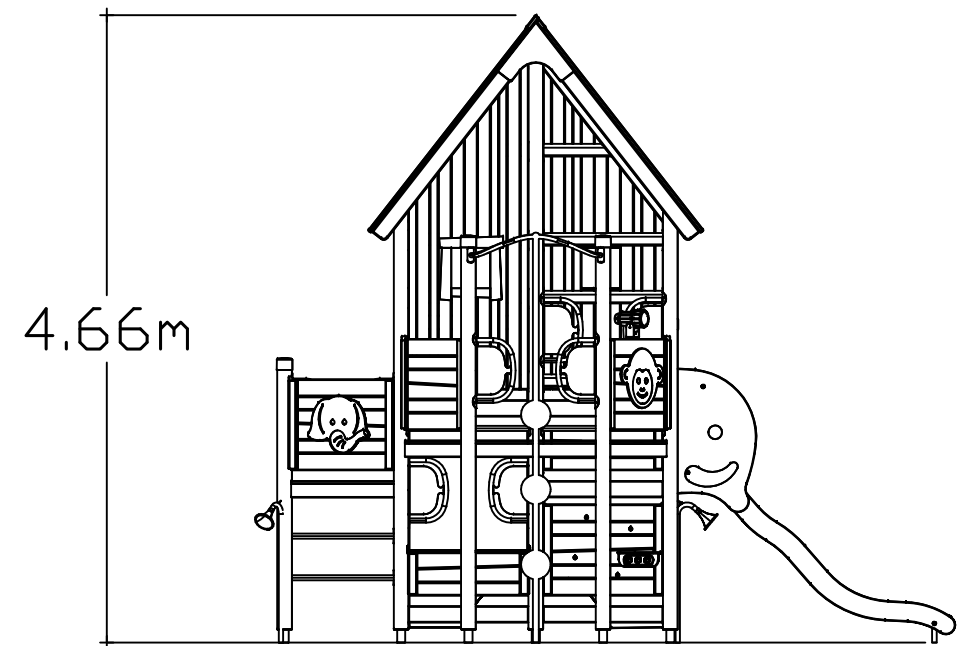
Varje vecka  
Every week  
Jede woche  
Chaque semaine



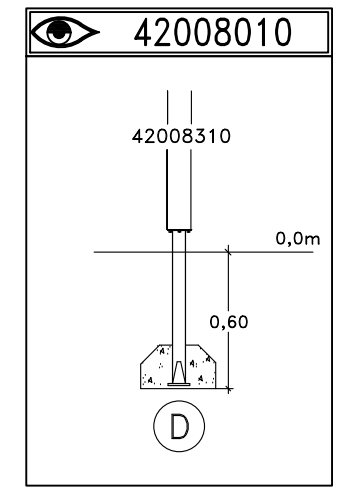
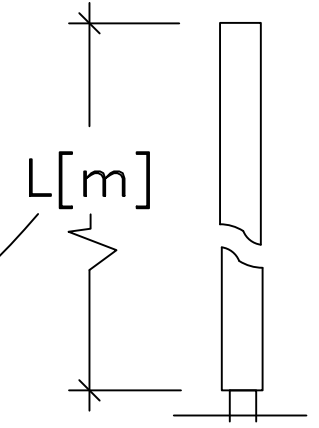
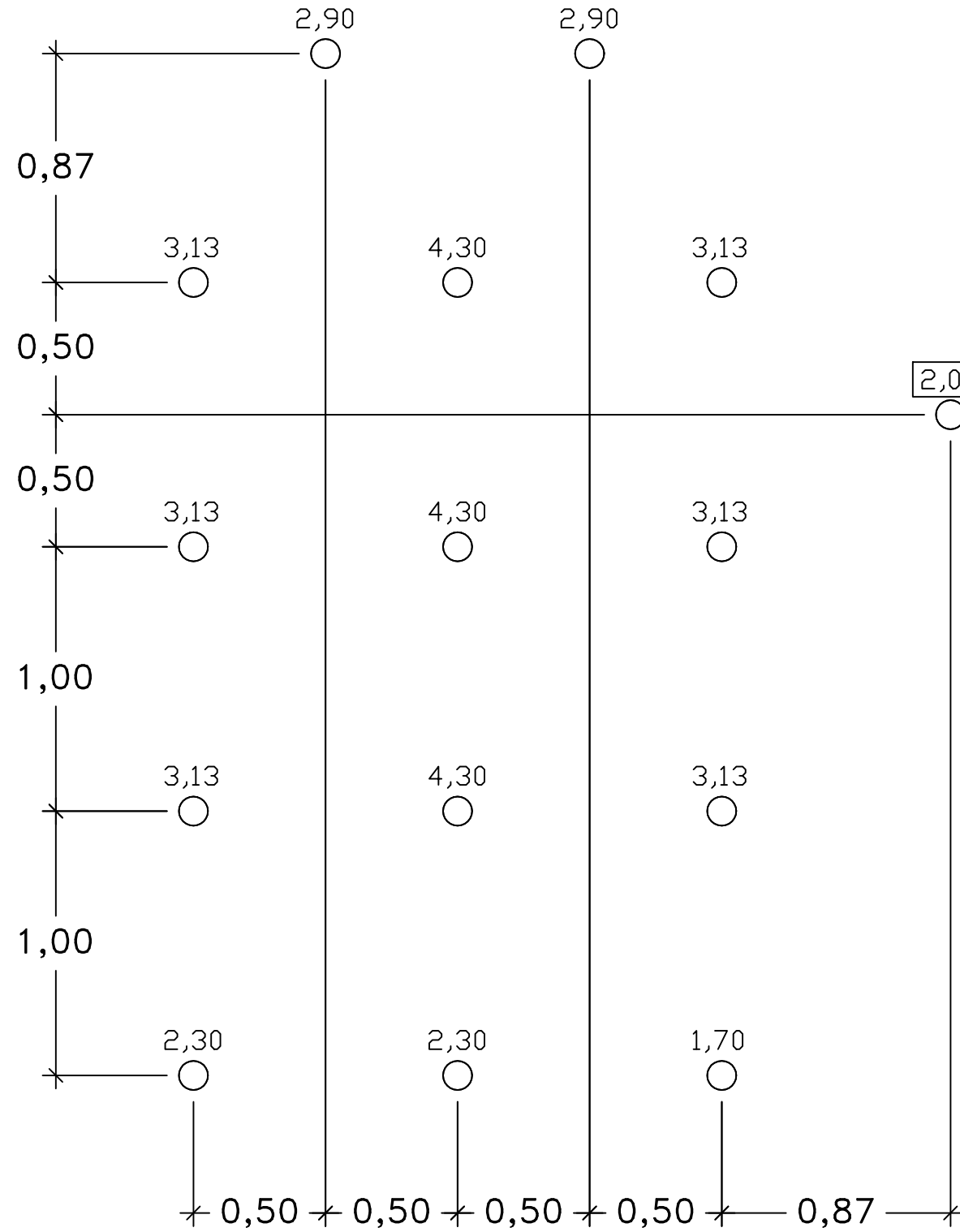
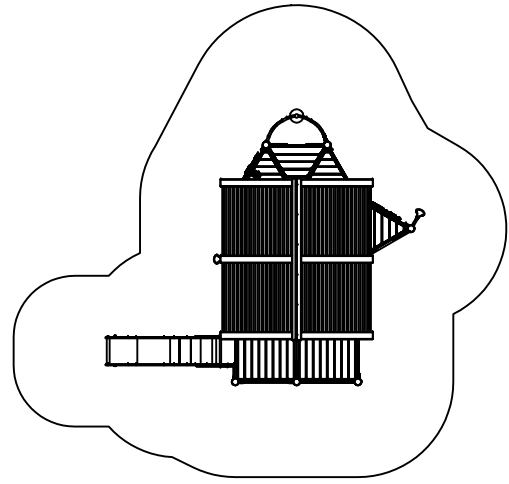
Varje säsong  
Every season  
Jedes Jahr  
Chaque saison



Step by Step UniPlay



[m]



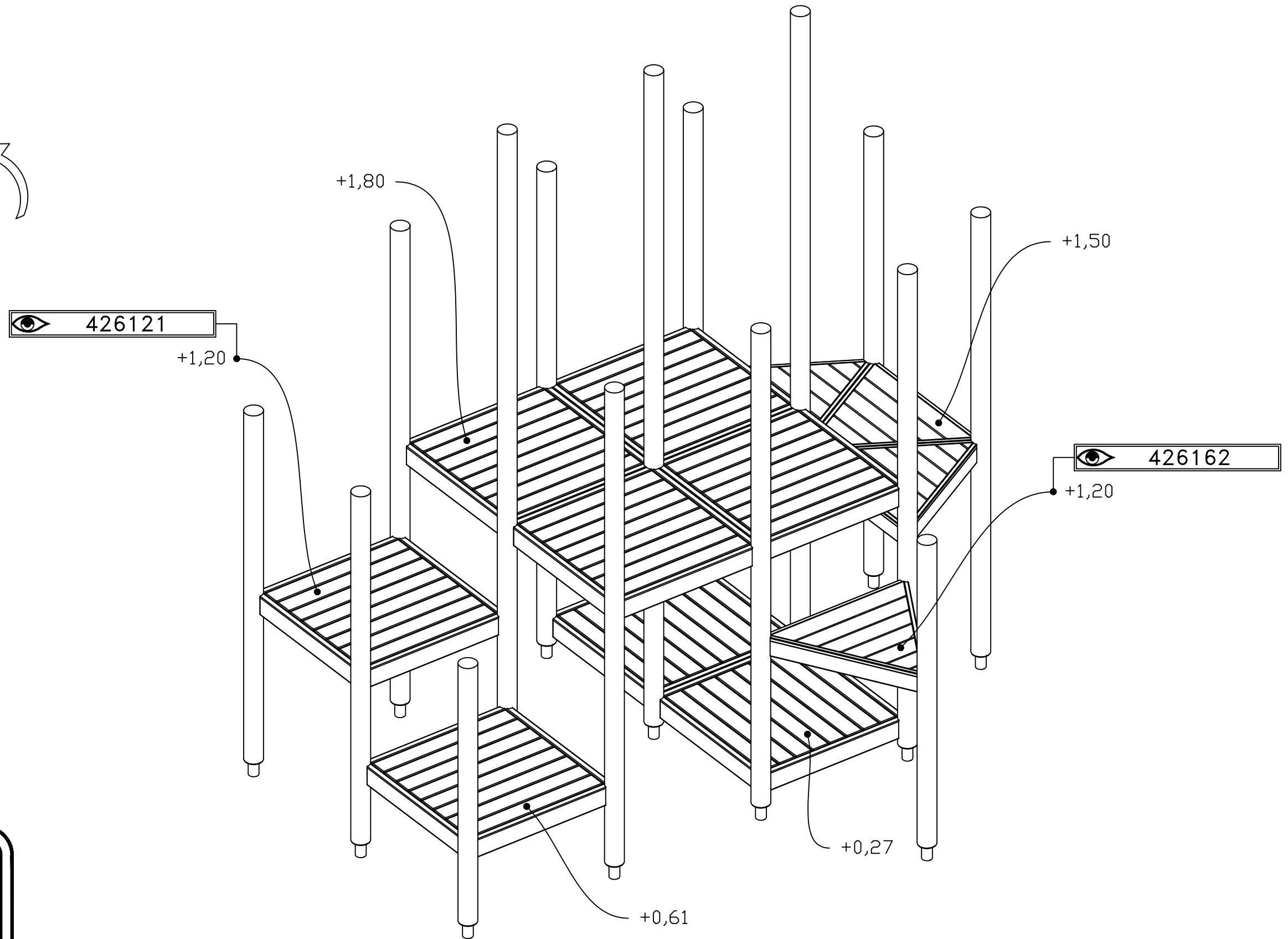
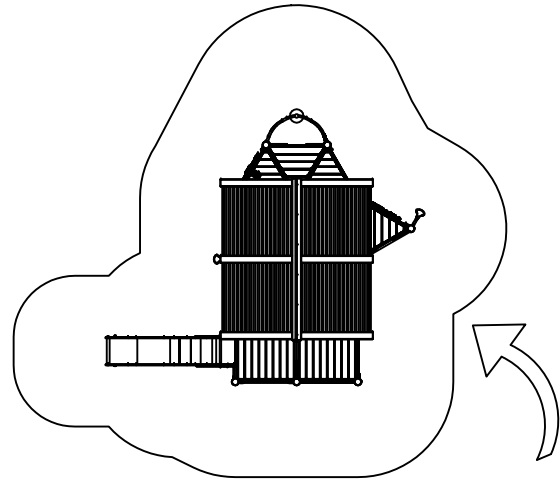
**HAGS** ANEBY, SWEDEN  
+46(0)380-47300  
www.hags.com

UniPlay Sikkim  
MASW65098  
2/8

JW JW 2023-06-12 1

# STEP 1

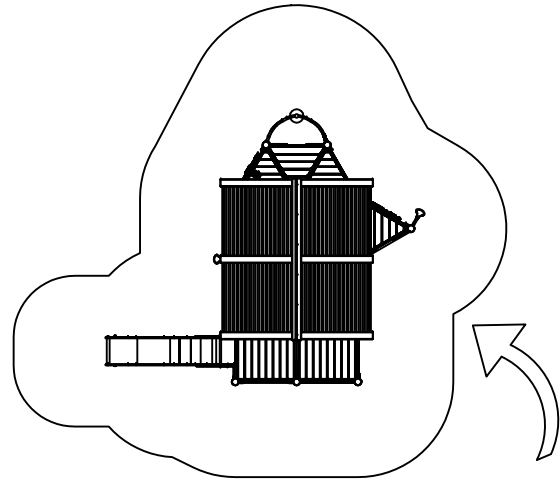
[m]



<b>HAGS</b>		ANEBY, SWEDEN	
		+46(0)380-47300	
		www.hags.com	
UniPlay Sikkim			
MASW65098			
3/8			
	JW		JW
2023-06-12 1			

# STEP 2

[m]



MA420994

x10

MASW37573

x7

+1,31

+1,61  
x2

90°

+0,72

+0,50

+0,81

+0,23

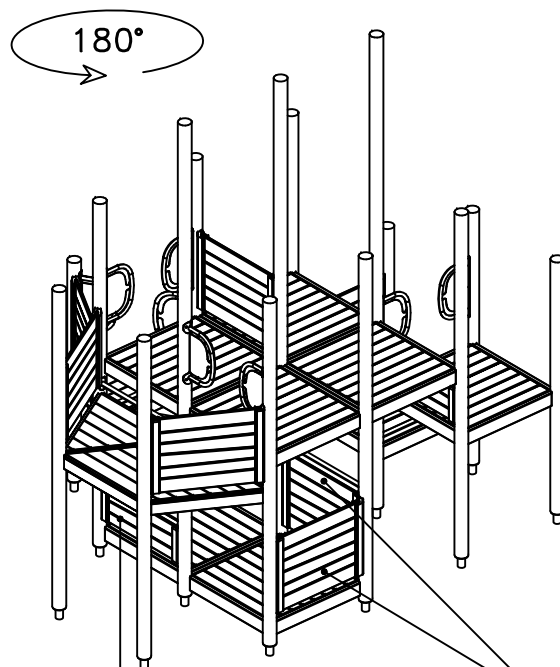
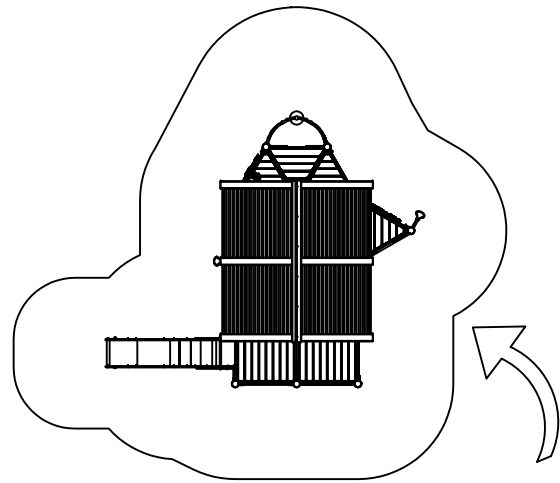
**HAGS** ANEBY, SWEDEN  
+46(0)380-47300  
www.hags.com

UniPlay Sikkim  
MASW65098  
4/8

JW JW 2023-06-12 1

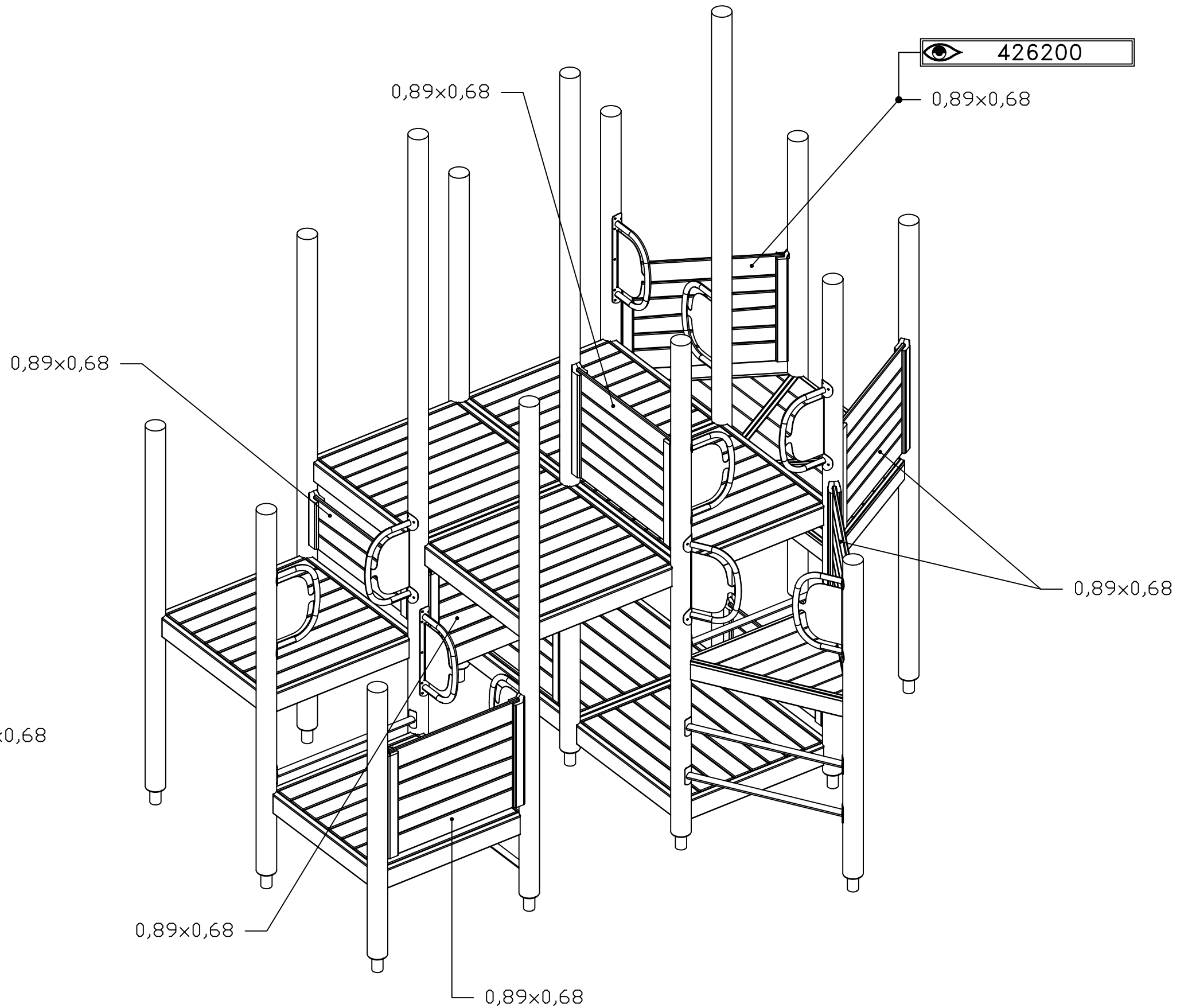
# STEP 3

[m]



0,89x0,32

0,89x0,68



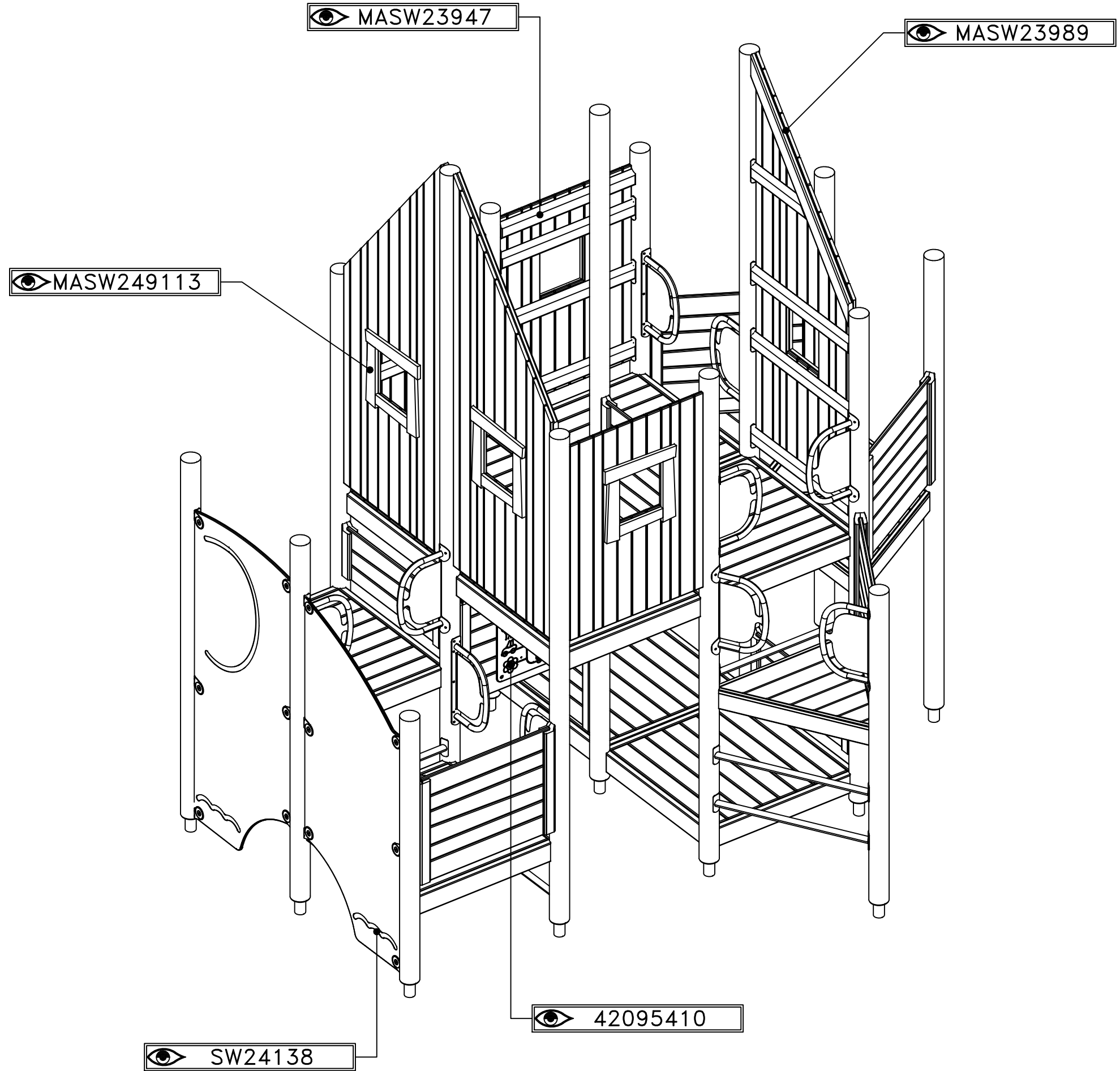
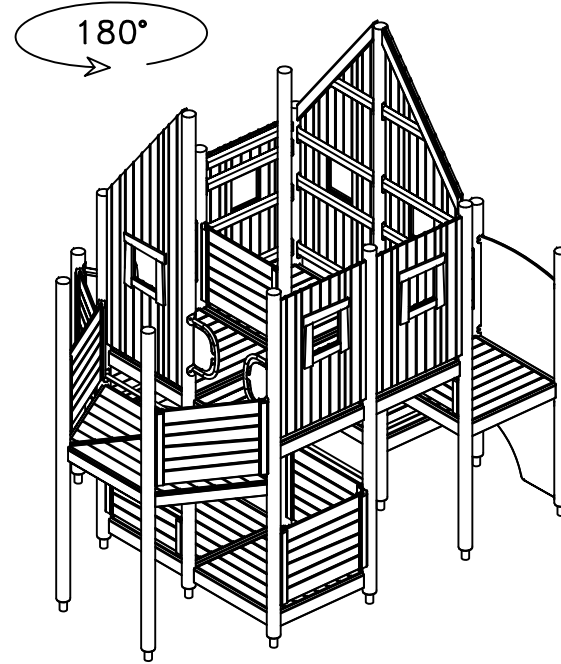
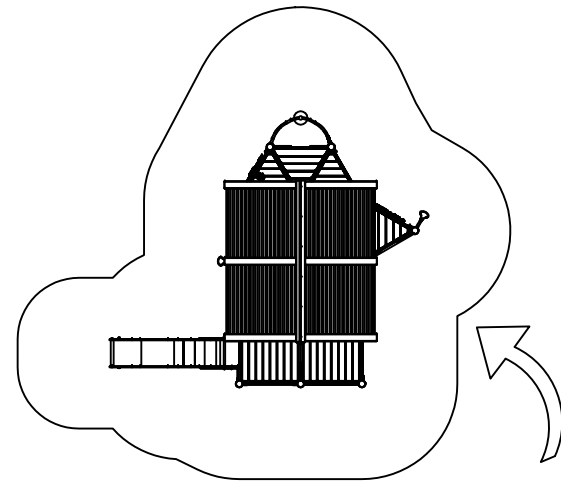
**HAGS** ANEBY, SWEDEN  
+46(0)380-47300  
www.hags.com

UniPlay Sikkim  
MASW65098  
5/8

🏠 JW 🔍 👁 JW 2023-06-12 1

# STEP 4

[m]



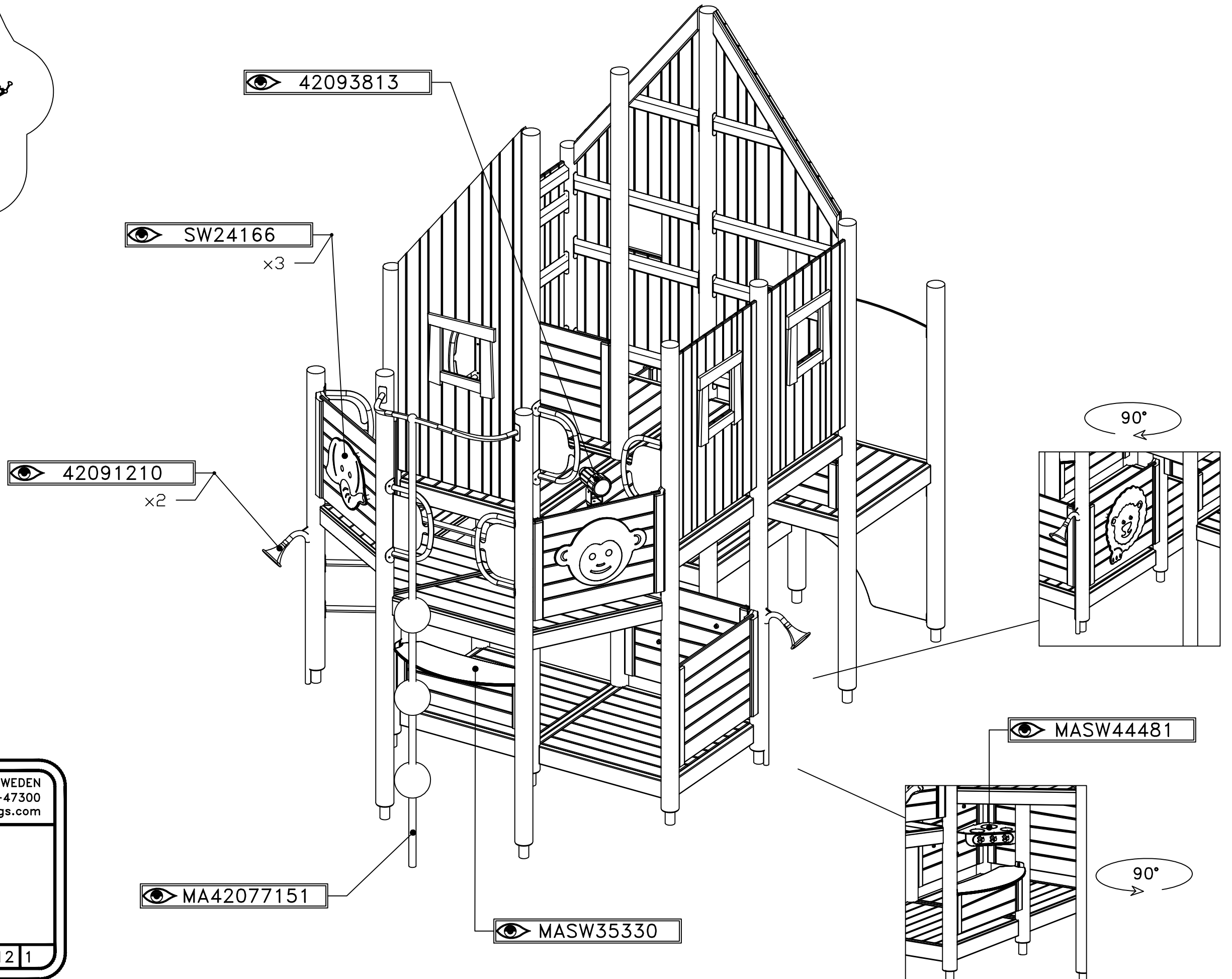
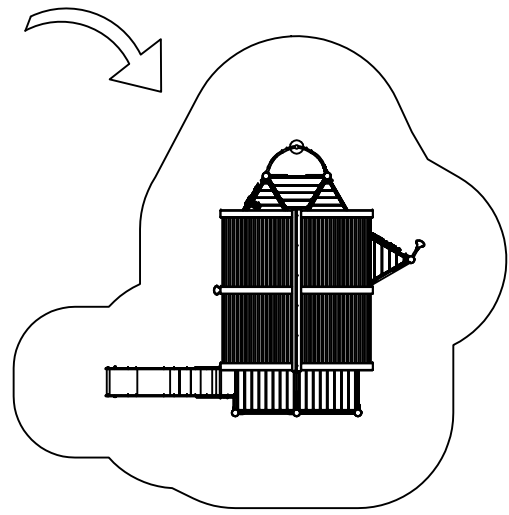
**HAGS** ANEBY, SWEDEN  
+46(0)380-47300  
www.hags.com

UniPlay Sikkim  
MASW65098  
6 / 8

🏠 JW 🔍 👁️ JW 2023-06-12 | 1

# STEP 5

[m]



**HAGS** ANEBY, SWEDEN  
+46(0)380-47300  
www.hags.com

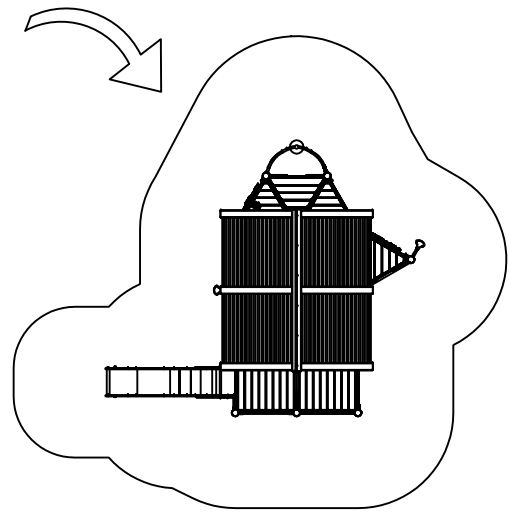
UniPlay Sikkim  
MASW65098  
7/8

JW JW 2023-06-12 1



# STEP 6

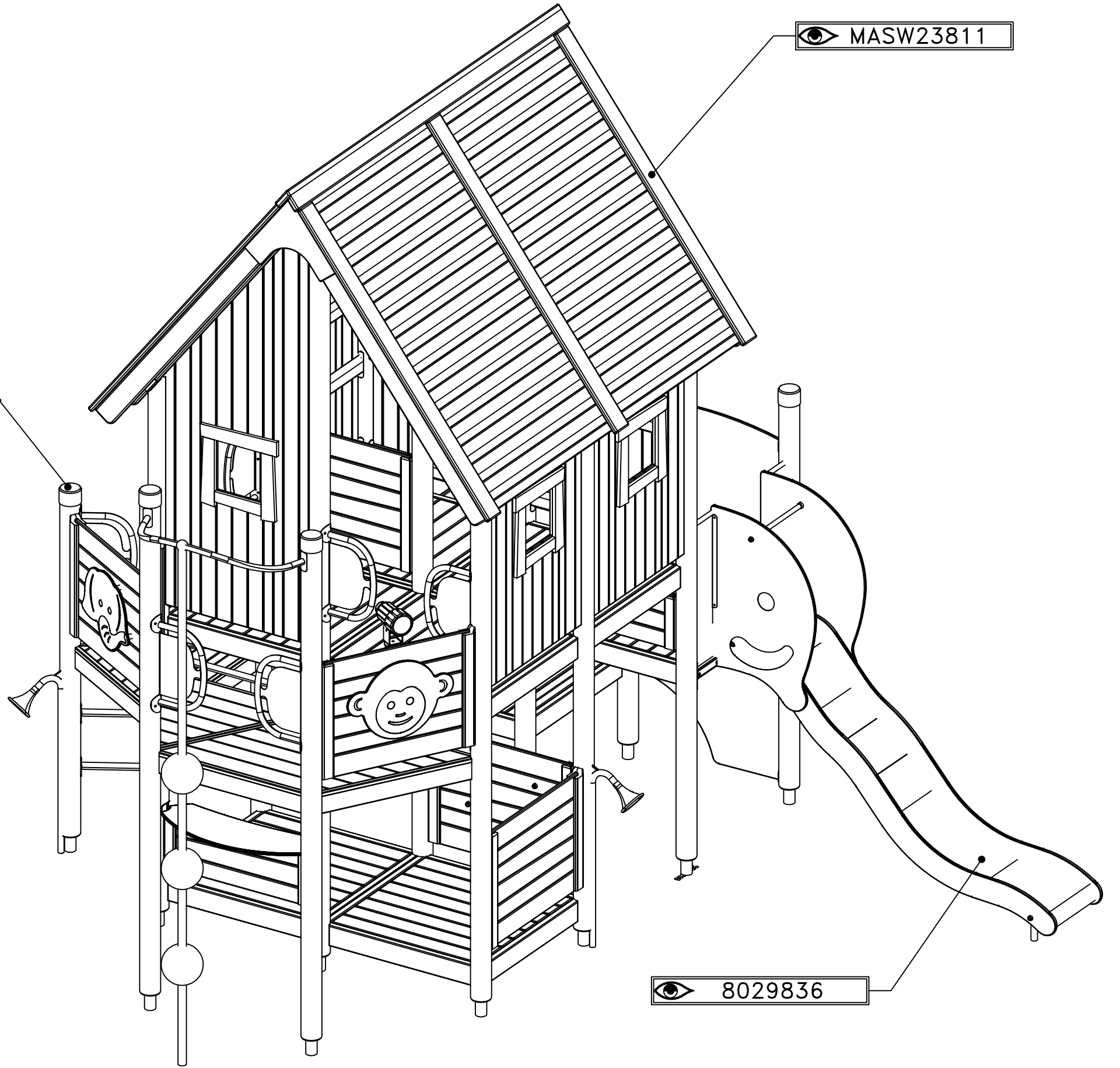
[m]



👁 MASW39775

x6

👁 MASW23811



👁 8029836

## HAGS

ANEBY, SWEDEN  
+46(0)380-47300  
www.hags.com

UniPlay Sikkim  
MASW65098  
8 / 8

🏠 JW 👁 JW 2023-06-12 1