

SOLO SPINNER

200179575
1900059A
Sheet 1 of 2

AUTHORIZED BY:
Sue Clinton JSAN09

SOLO SPIN
200201870

Item	Code	Description	Qty.
1	-	SUPP F/SOLOSPINNER	1
2	-	SEAT, SOLO SPINNER	1

HDWR BAG F/SOLO SPIN
200169153

Item	Code	Description	Qty.
3	200001814	BOLT CARRIAGE M10 X 1.50 X 120 MM	4
4	200165638	WASHER, LOCK 5/8" SS	4
5	200001954	BARREL NUT M10 X 1.50 (12.70 X 32mm)	4
*6	200001776	ANCHOR CONCRETE WEDGE M10 X 1.50 X 100 MM	4
7	200001187	T-45 TAMPER PROOF KEY (TORX WRENCH)	1

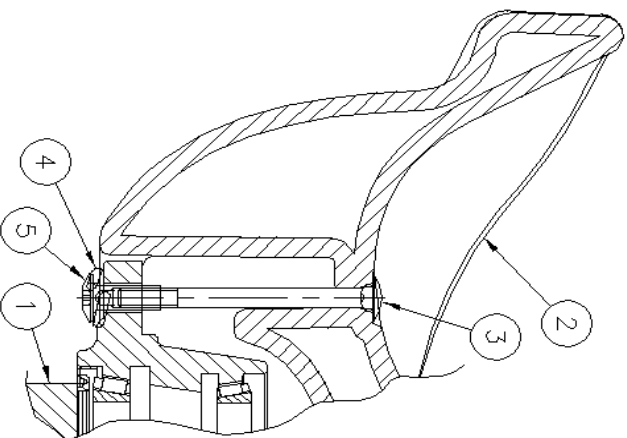
* SURFACE MOUNT ONLY

Application

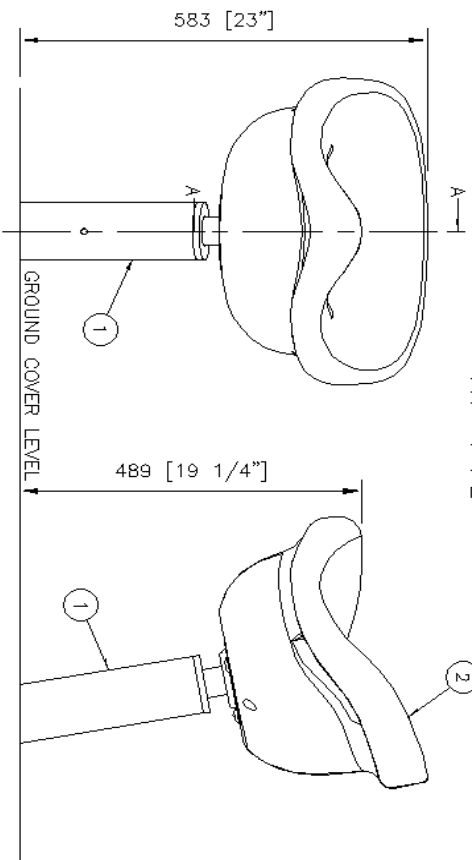
Age group: 2 - 12 year olds.

Installation Instructions

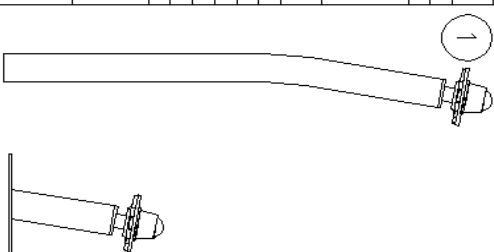
1. Prepare footings.
2. Attach seat (item 2) to assy post (item 1) as shown in SECTION A-A.
3. Tighten all hardware to ensure tight fit. NOTE: It is important to apply downward pressure using your hand on the carriage bolt (item 3) while tightening the barrel nut (item 5) and not to overtighten the barrel nut to avoid stripping the square recess in the seat (item 2).
4. Finish footings and install resilient ground cover.



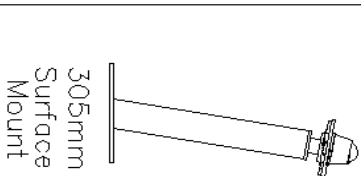
SECTION A-A
1:2.5
TYP 4 PL



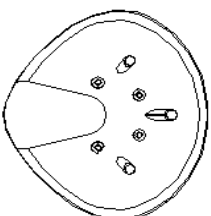
[NOTE: FOR UNDERSURFACING & FOOTINGS REFER TO SEPARATE INSTRUCTIONS]



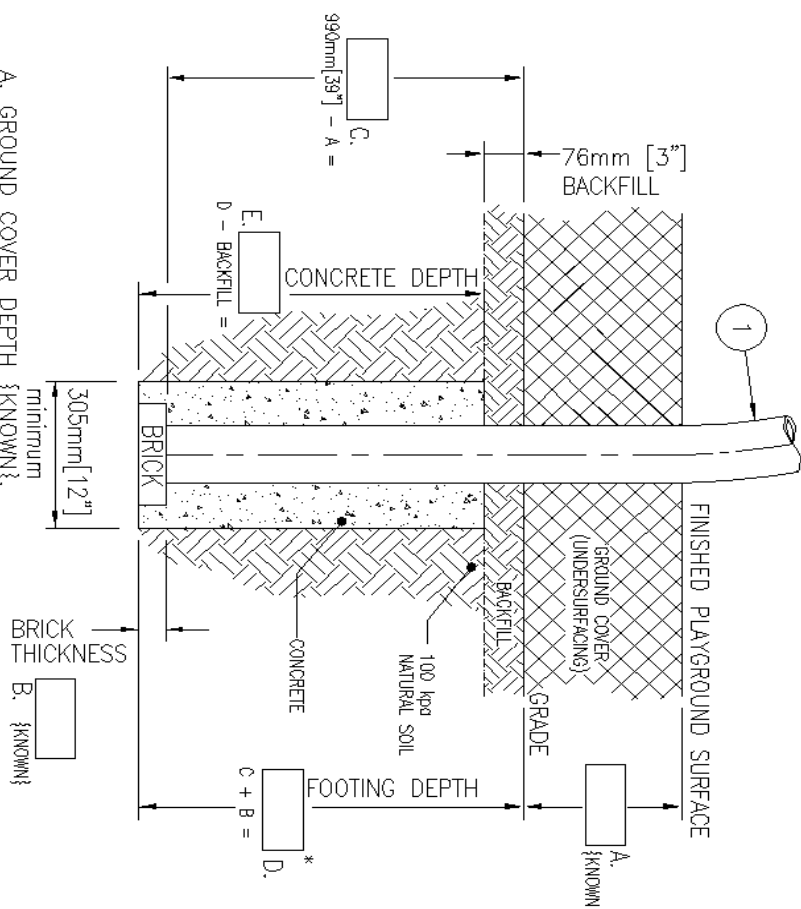
Inground Mount
40mm Surface Mount



305mm Surface Mount



1. COMPLETE THE CALCULATION SHEET BELOW (FILL IN BLOCKS A THRU E).
2. FOOTING SIZE MAY VARY DUE TO LOCAL SOIL AND WEATHER CONDITIONS.
3. BASE OF FOOTING MUST BE BELOW FROST LINE.



- A. GROUND COVER DEPTH {KNOWN};
- B. BRICK THICKNESS {KNOWN};
- C. 990mm[39"] - A BECAUSE A + C SHOULD ALWAYS EQUAL 990mm[39"]
- D. FOOTING DEPTH = [C] + BRICK THICKNESS.
*MINIMUM 610mm[24"] + BRICK THICKNESS FOOTING DEPTH REQUIRED
- E. CONCRETE DEPTH = FOOTING DEPTH [D] - 76mm[3"] (BACKFILL).

KB POST FOOTING - INGROUND

HOW MUCH CONCRETE?

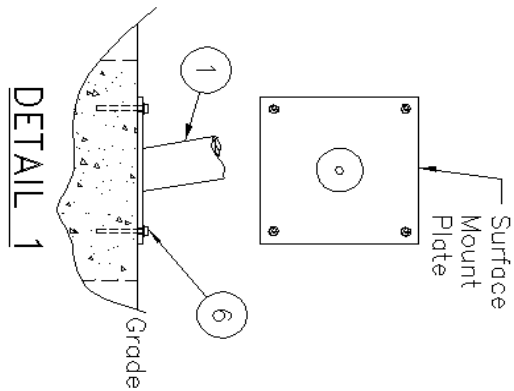
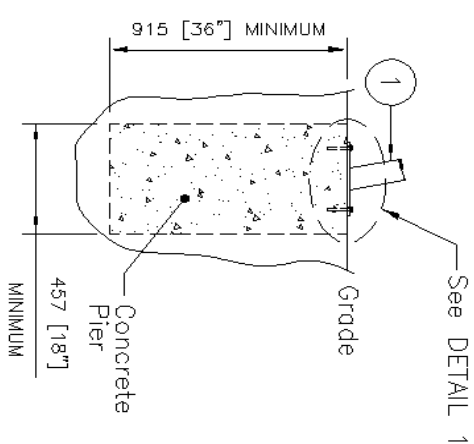
VOLUME OF CONCRETE REQUIRED FOR FOOTINGS:

$$= 0.067 \text{ M}^3 \times \left\{ \frac{\text{CONCRETE DEPTH (mm)}}{915} \right\} \times \text{No. OF FOOTING HOLES} = \text{M}^3$$

$$= 0.087 \text{ Yard}^3 \times \left\{ \frac{\text{CONCRETE DEPTH (IN)}}{36} \right\} \times \text{No. OF FOOTING HOLES} = \text{Yard}^3$$

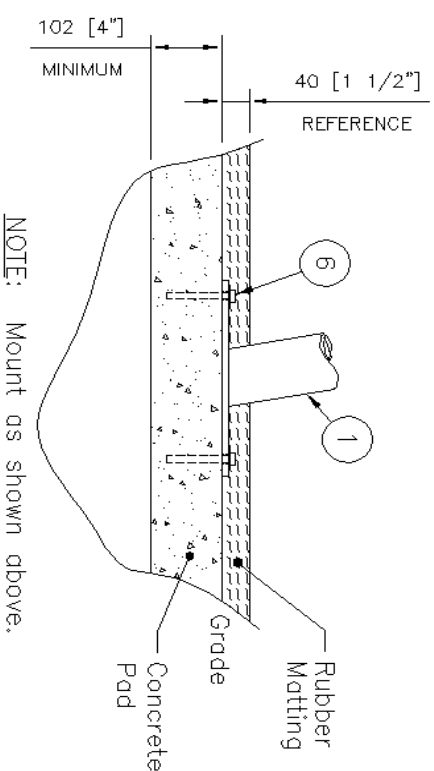
NOTES: - TO CALCULATE CUBIC FEET, MULTIPLY CUBIC YARD BY 27
- 94 lbs OF CONCRETE = 1 CUBIC FOOT.

**SURFACE MOUNT
OPTION 1: PIER**



**SURFACE MOUNT OPTION 2:
CONCRETE PAD**

- NOTE 4: Concrete may require up to 3 days to cure.
- NOTE 5: A 3/8" Masonry bit is required to install anchor bolts.



NOTE: Mount as shown above.