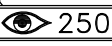
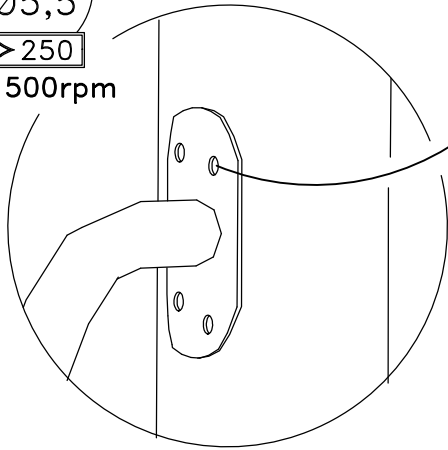
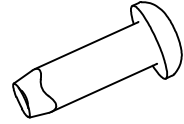
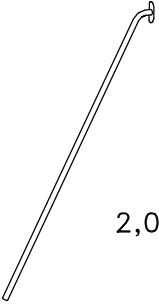


  
 Ø5,5
   
 250
   
 MAX 500rpm

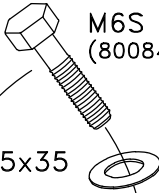


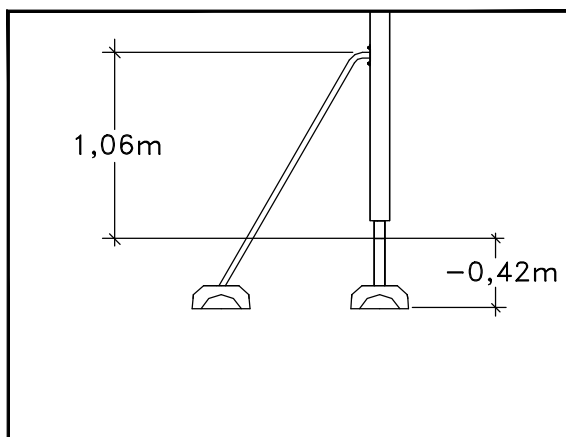

  
 Screw thr-forming
   
 M6x25-8.8-(ISO7380)
   
 (8027762)



TYPE	HAGS.NO
 2,0m	8046444
	8009467

8046444

8009467


  
 M6S 12x35
   
 (8008412)
   
 SRB 12.5x35
   
 (8008834)



<b>HAGS</b>		ANEBY, SWEDEN	
		+46(0)380-47300	
		www.hags.com	
Post Support, S, Steel Post			
450 780			
1(1)			
	TJ		MN 2007-09-18   0