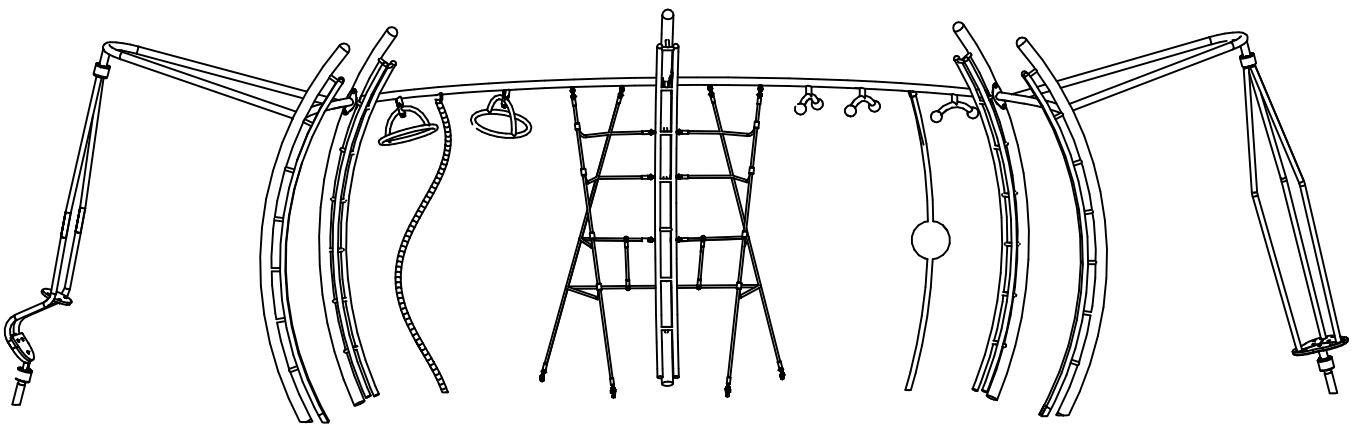


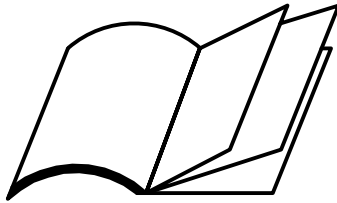
HAGS

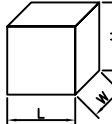
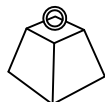

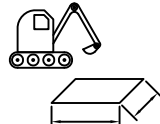
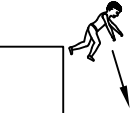

NEXUS

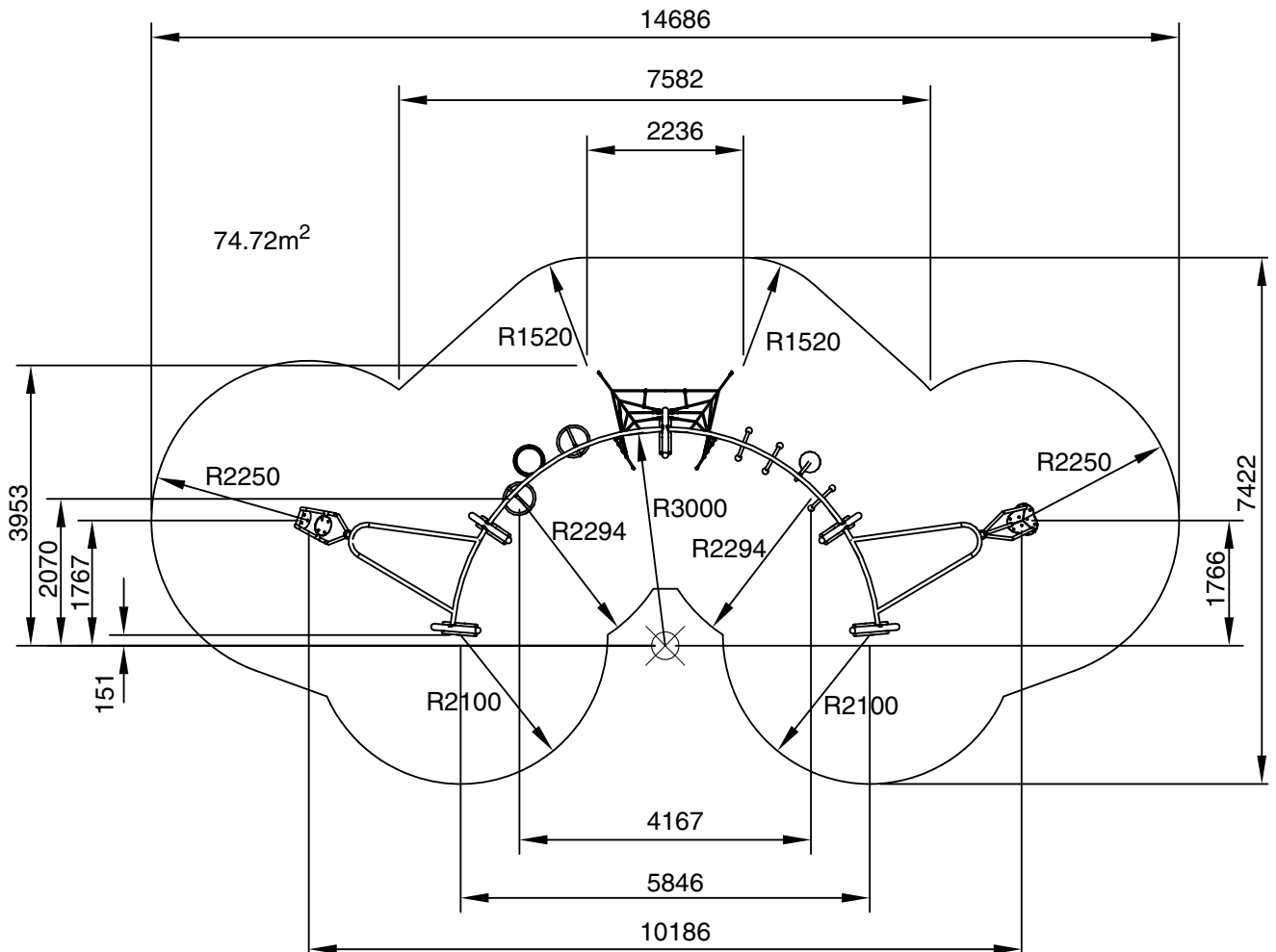
VELOCITY 4

NXVS4 NXVE4

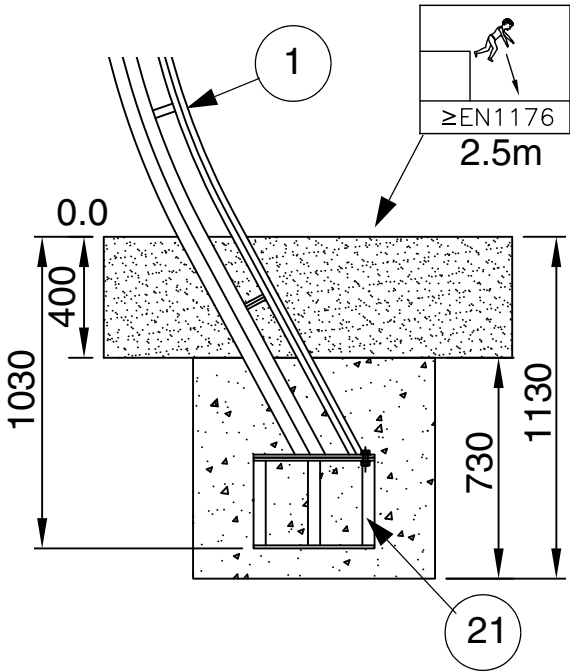




						
	LxWxH (m)	kg	m ³	m	≥EN1176	x 3= T
NXV*4	10.62 x 6.50 x 3.00	643	4.36	15.00 x 8.00	2.5m	T=60h

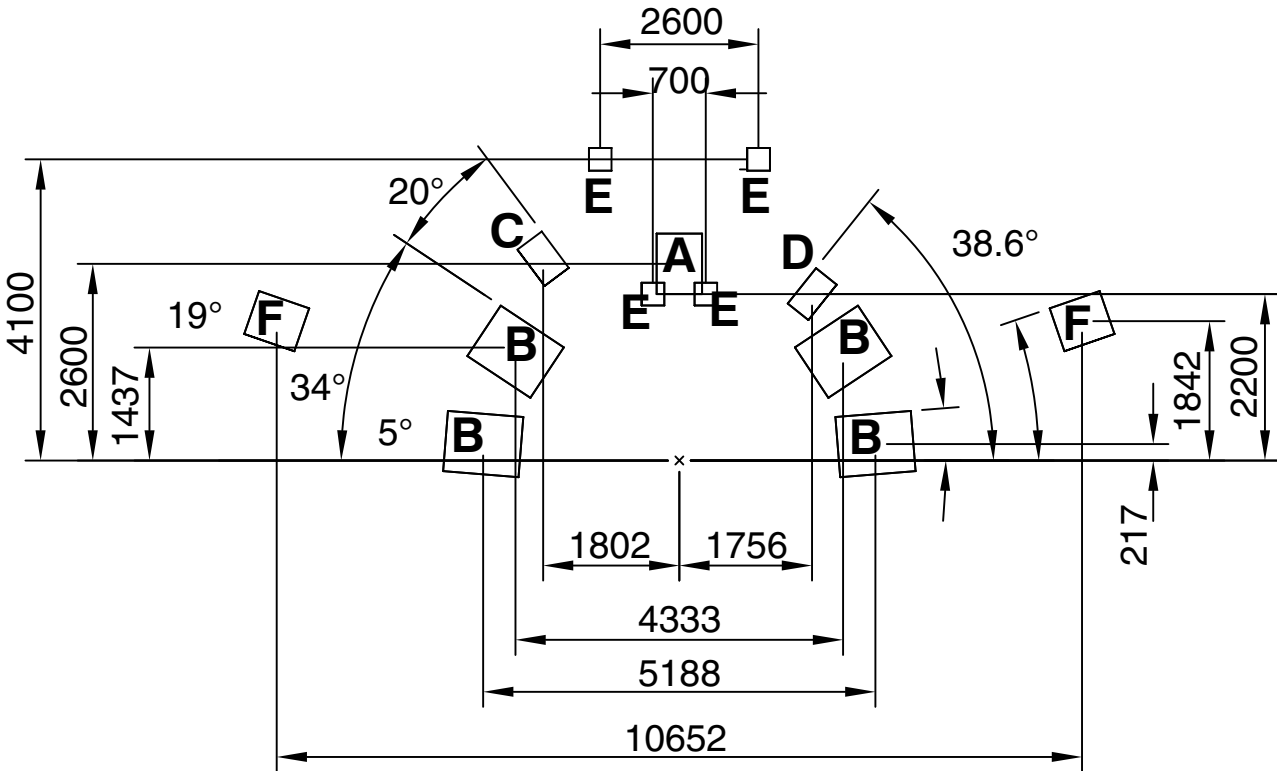


NXVE4

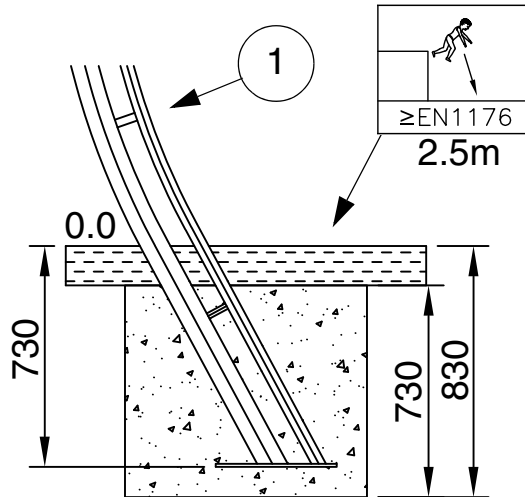


REF		L x W x D
'A'	m	0.80 x 0.60 x 1.13
'B'	m	1.00 x 0.80 x 1.13
'C'	m	0.40 x 0.60 x 0.90
'D'	m	0.35 x 0.60 x 0.90
'E'	m	0.30 x 0.30 x 0.73
'F'	m	0.70 x 0.60 x 1.065

TYPE 1/2  **101/144**

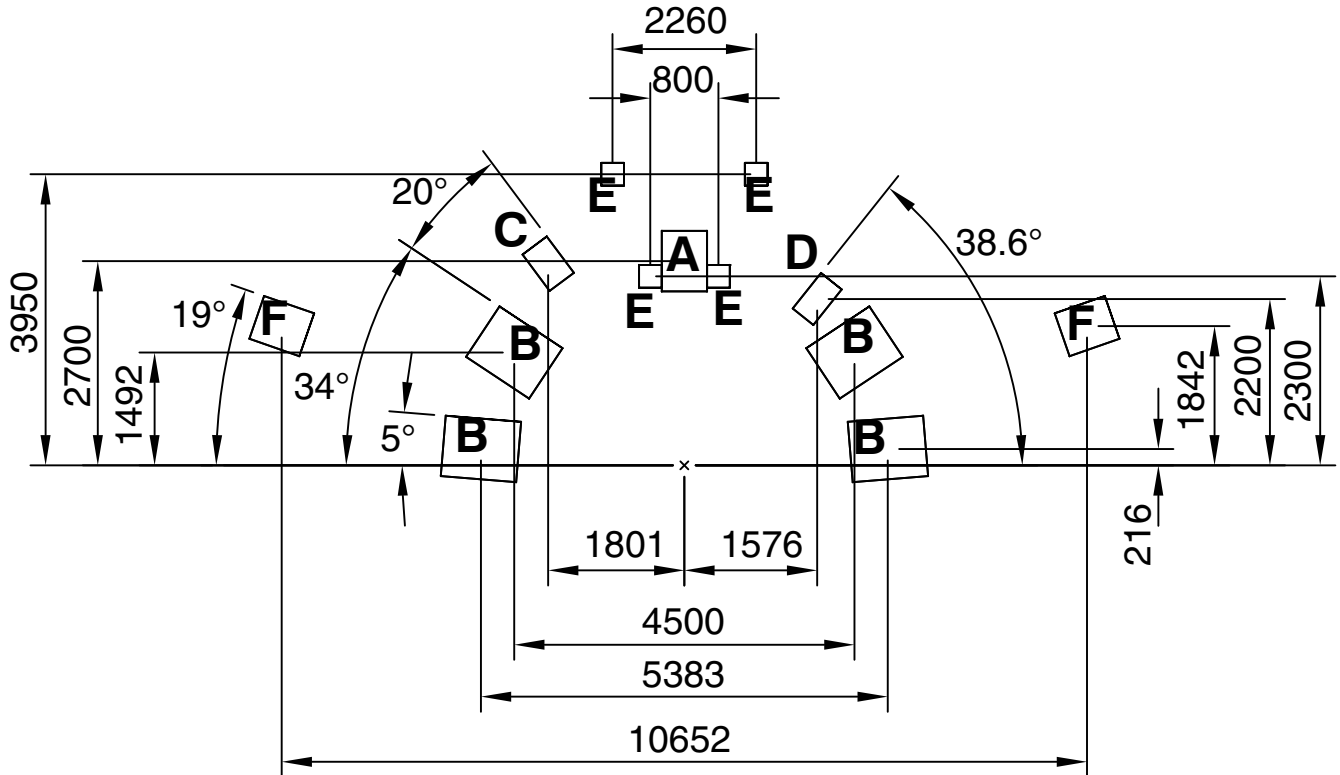


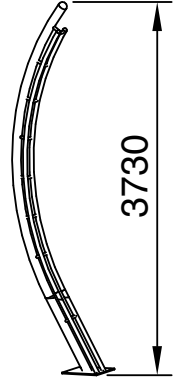
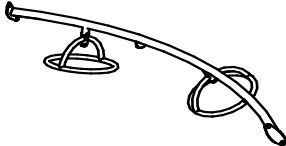
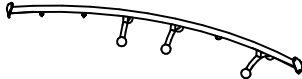
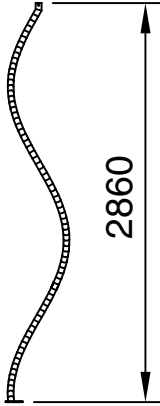
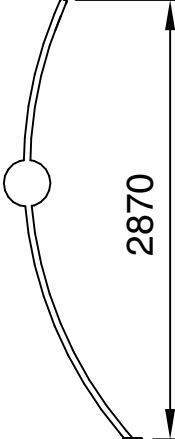
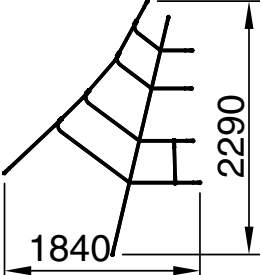
NXVS4

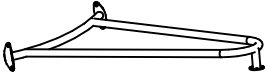
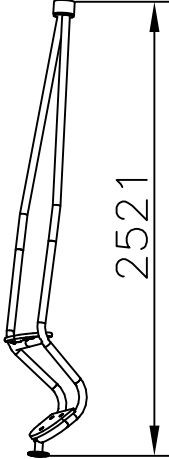
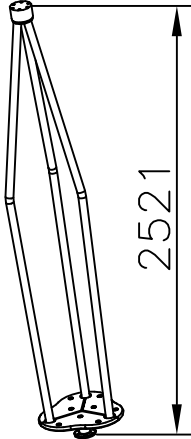
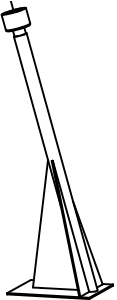
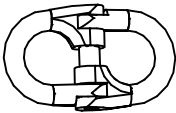
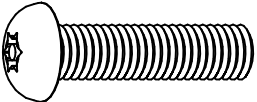


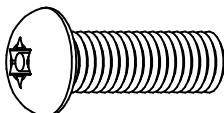
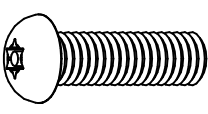

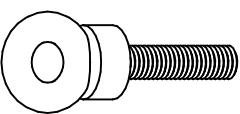
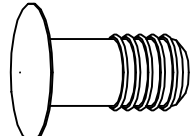
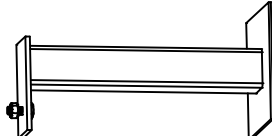

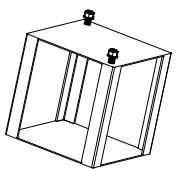
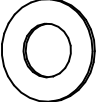
REF		L x W x D
'A'	m	0.80 x 0.60 x 0.83
'B'	m	1.00 x 0.80 x 0.83
'C'	m	0.40 x 0.60 x 0.60
'D'	m	0.35 x 0.60 x 0.60
'E'	m	0.30 x 0.30 x 0.43
'F'	m	0.70 x 0.60 x 1.065

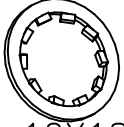
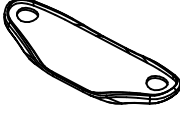

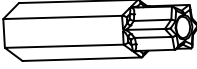
TYPE 3 101/144



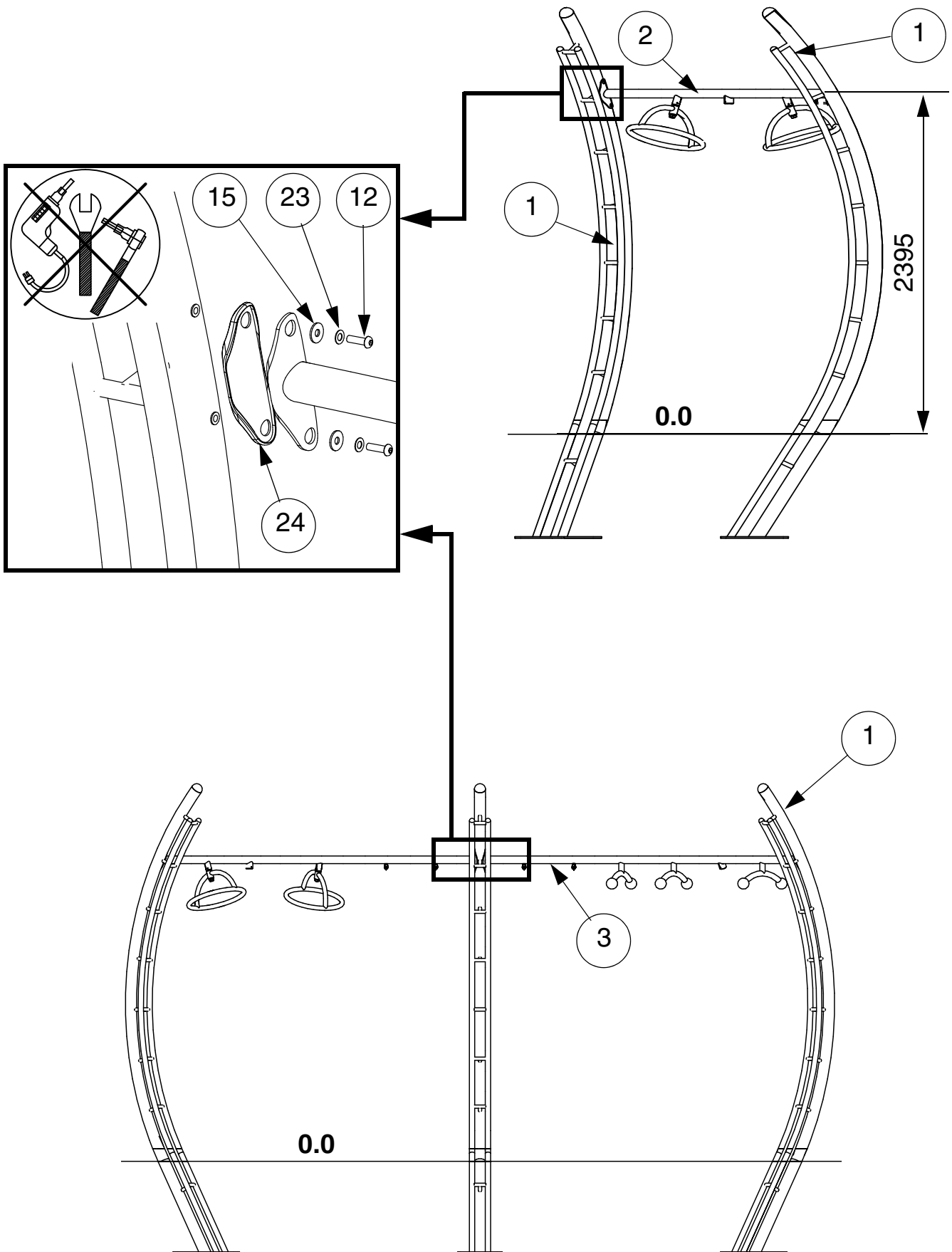
ITEM	REF.		NXVS4	NXVE4	kg
1	38000001		5		66.000
2	38003010		1		26.000
3	38003311		1		22.000
4	38003050		1		15.000
5	38003350		1		19.000
6	38008510		2		8.000

ITEM	REF.		NXVS4	NXVE4	kg
7	38007010		2		38.000
8	38007050		1		32.600
9	38007030		1		43.500
10	38007070		2		41.000
11	15715000		15	19	0.100
12	10121040	 M10 X 40	16		0.037

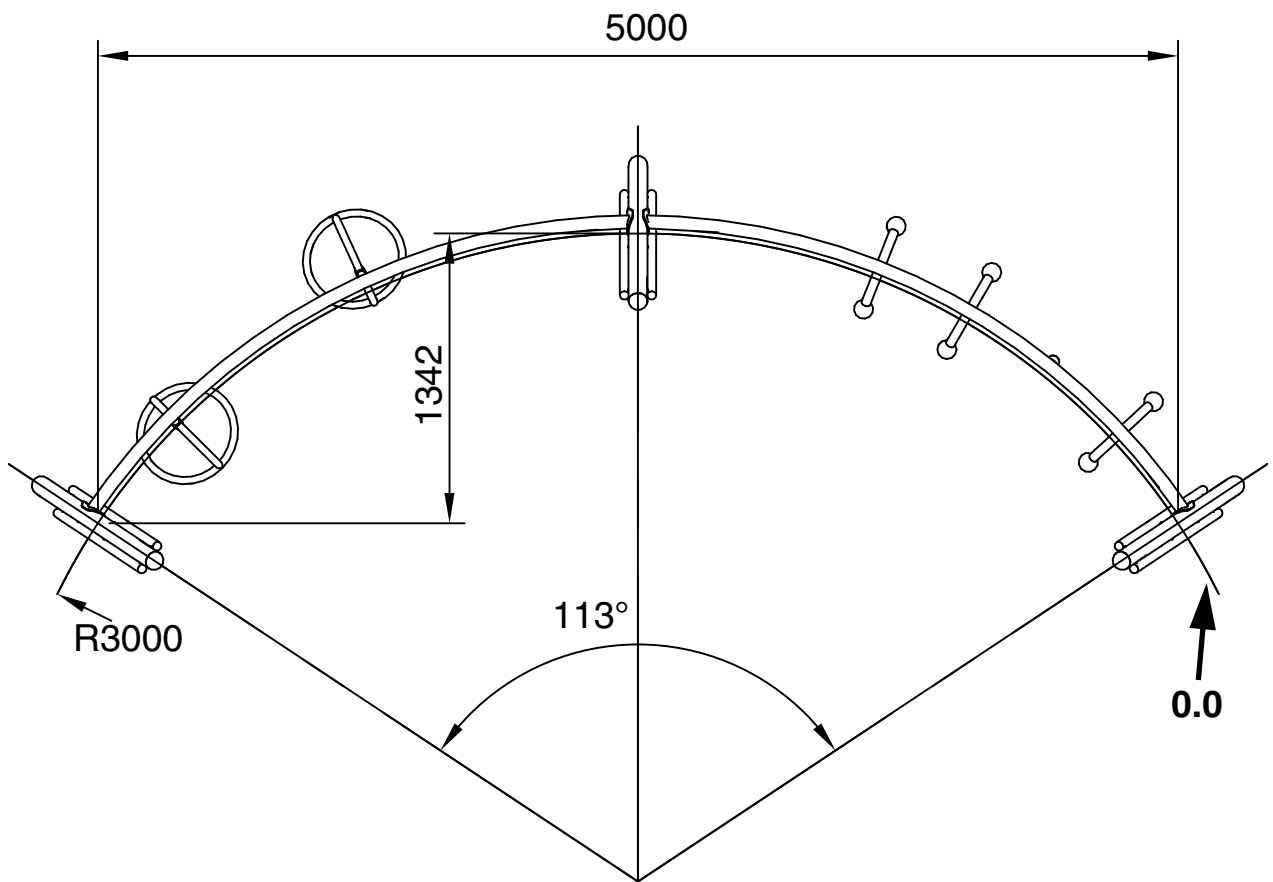
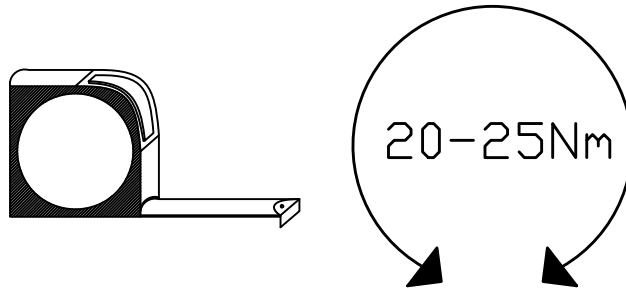
ITEM	REF.		NXVS4	NXVE4	kg
13	10121030	 M10 X 30	24		0.032
14	10120620	 M6 X 20	2		0.009
15	38001019	 M10 12X32X6.5	16		0.002
16	15711010	 M10	6		0.105
17	19024501		88		0.001
18	SSGIL			2	2.200
19	38008027		4		1.500
20					
21	38000002			5	26.000
22	10291000	 M10 11X21X1	24		0.002
ITEM	REF.		NXVS4	NXVE4	kg

23	10301000	 M10 12X18X1	40	0.001
24	19023801		8	0.080
25	10120600	 T30 M6	2	-
26	10121000	 T45 M10	5	-

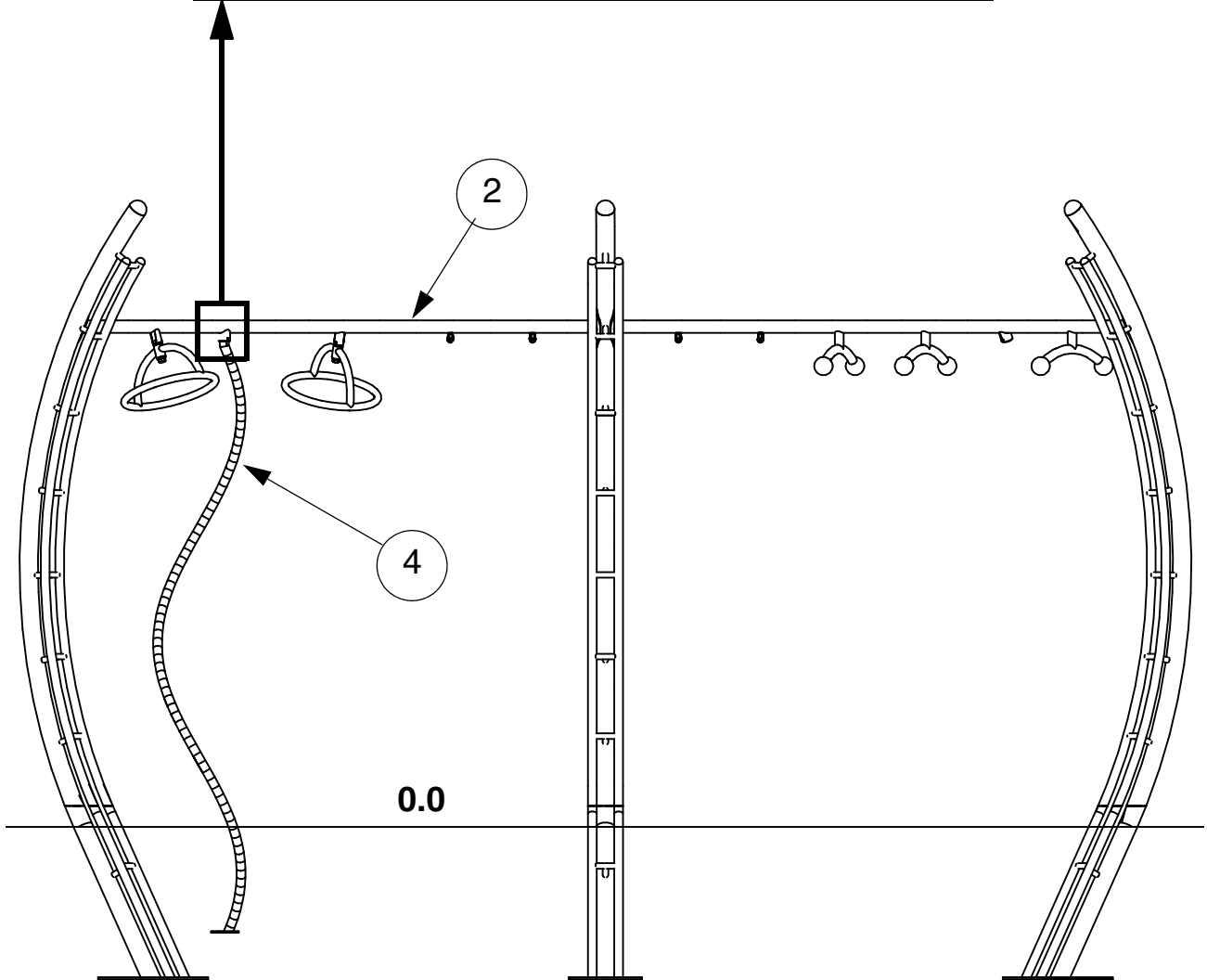
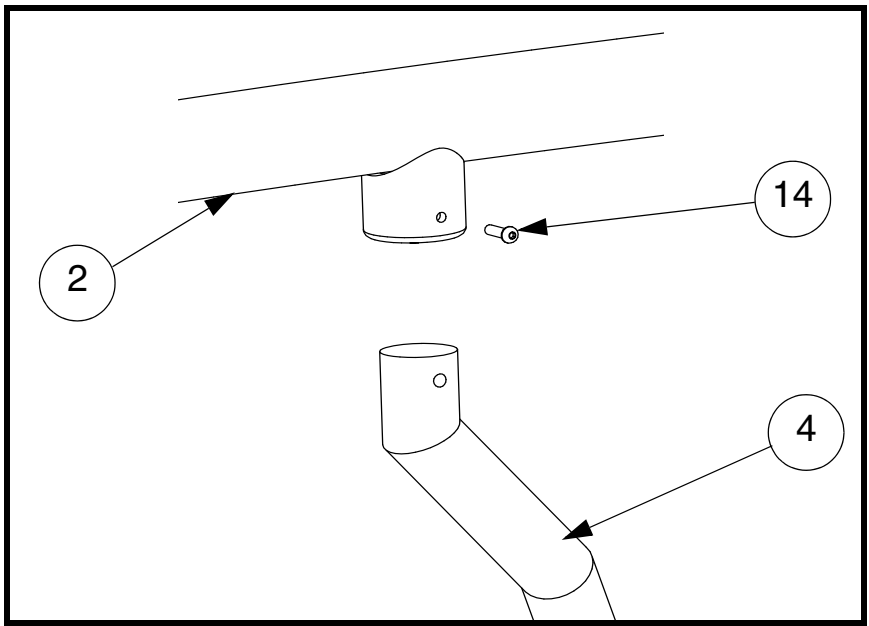
STEP 1



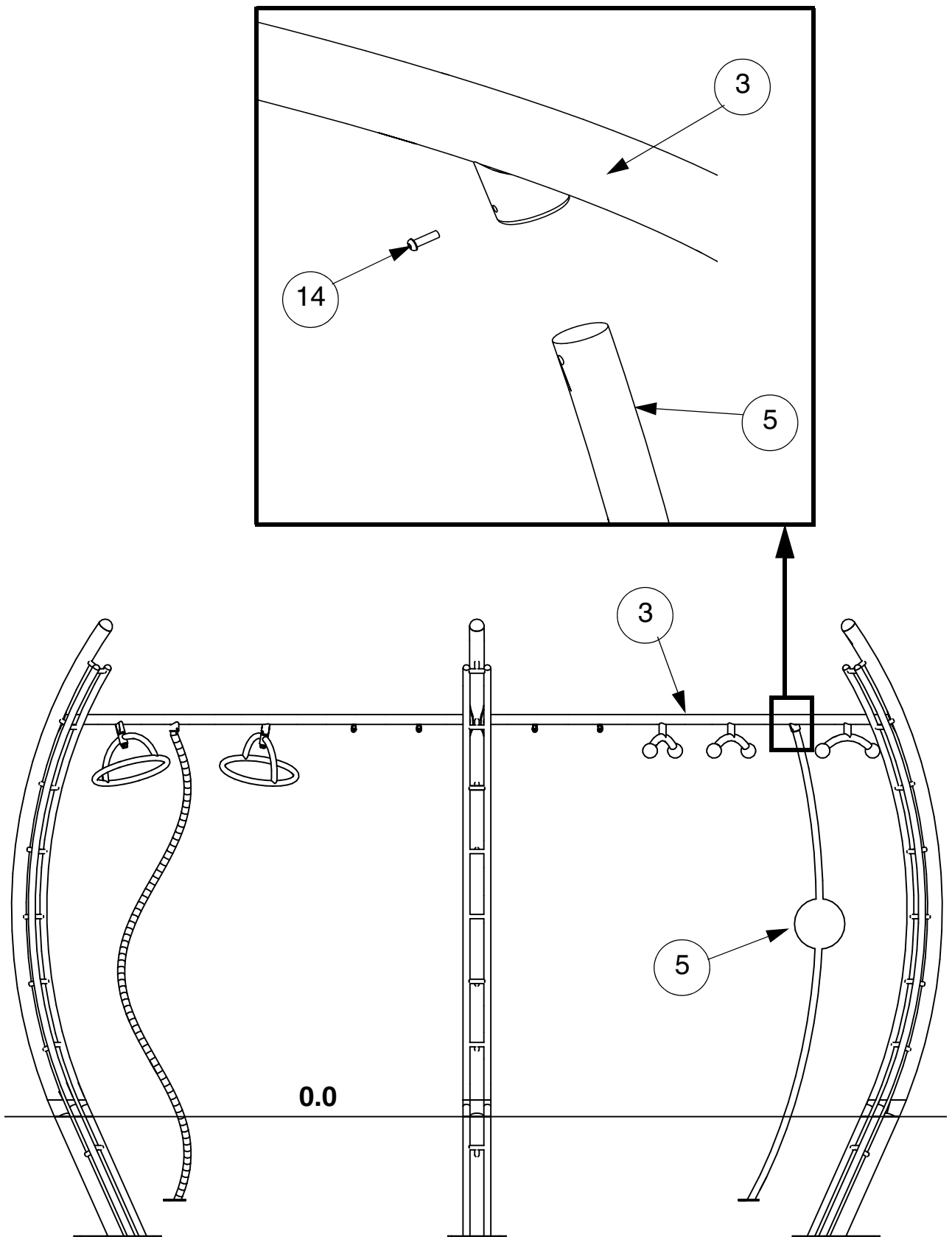
STEP 2



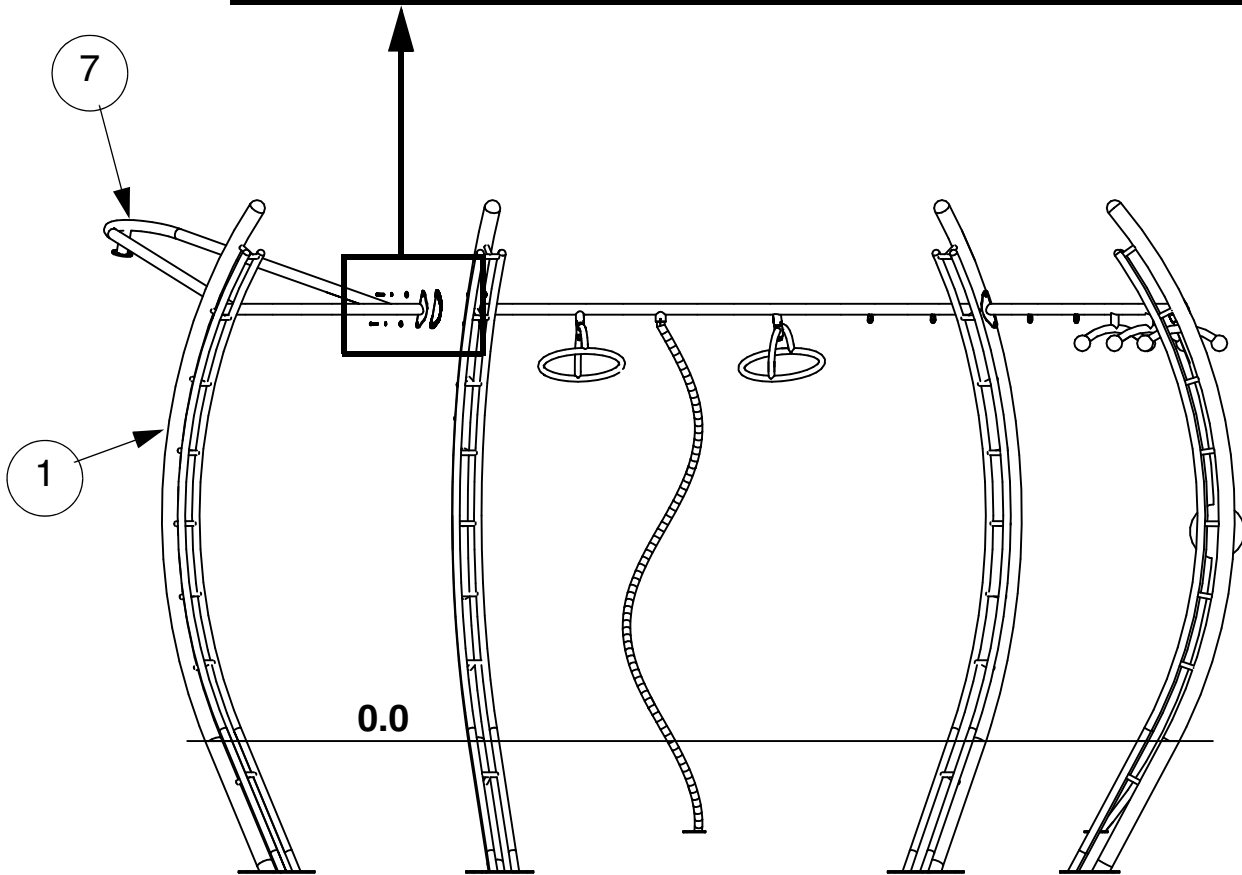
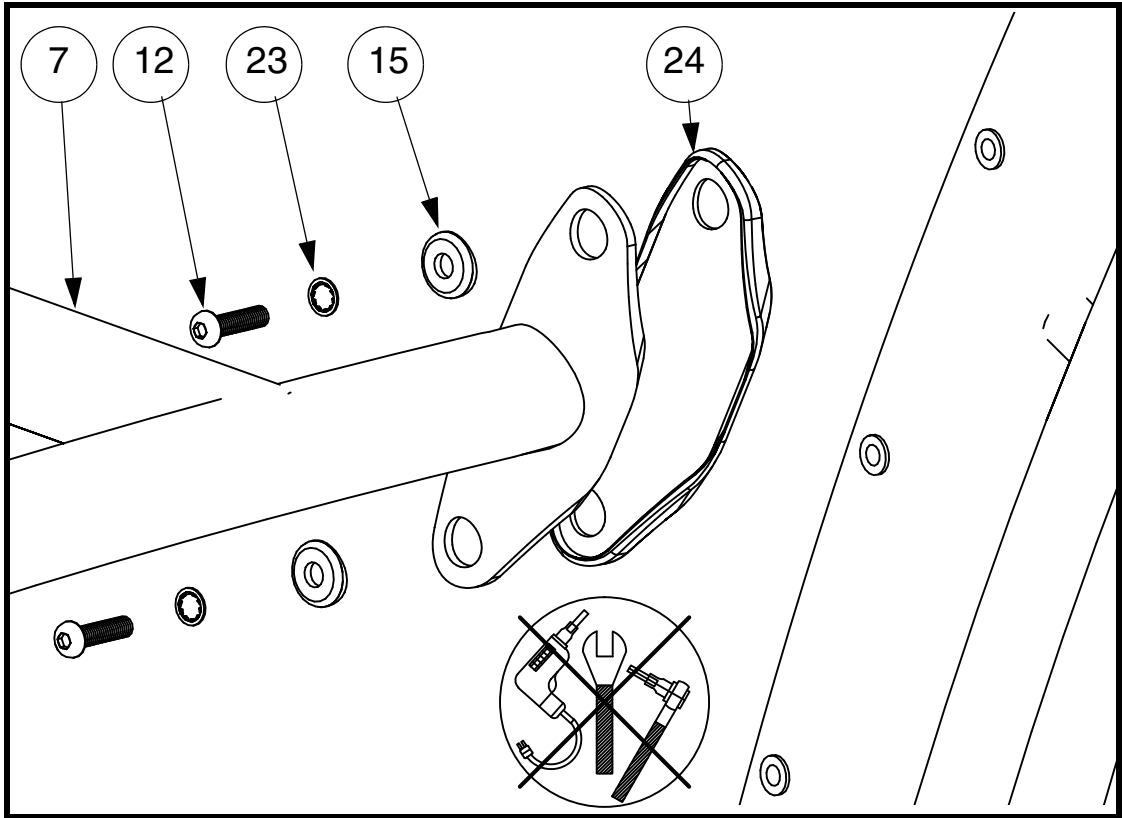
STEP 3



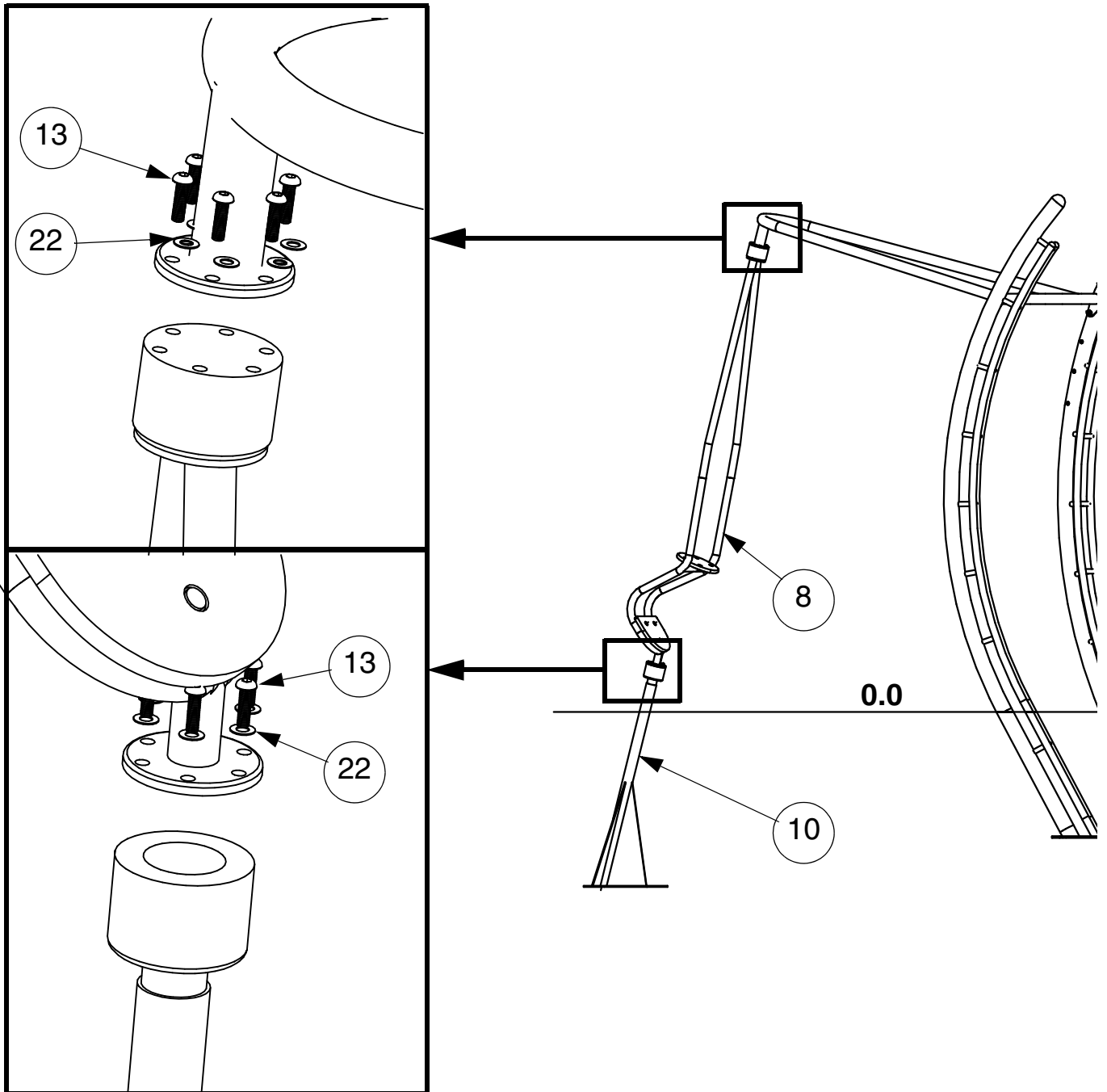
STEP 4



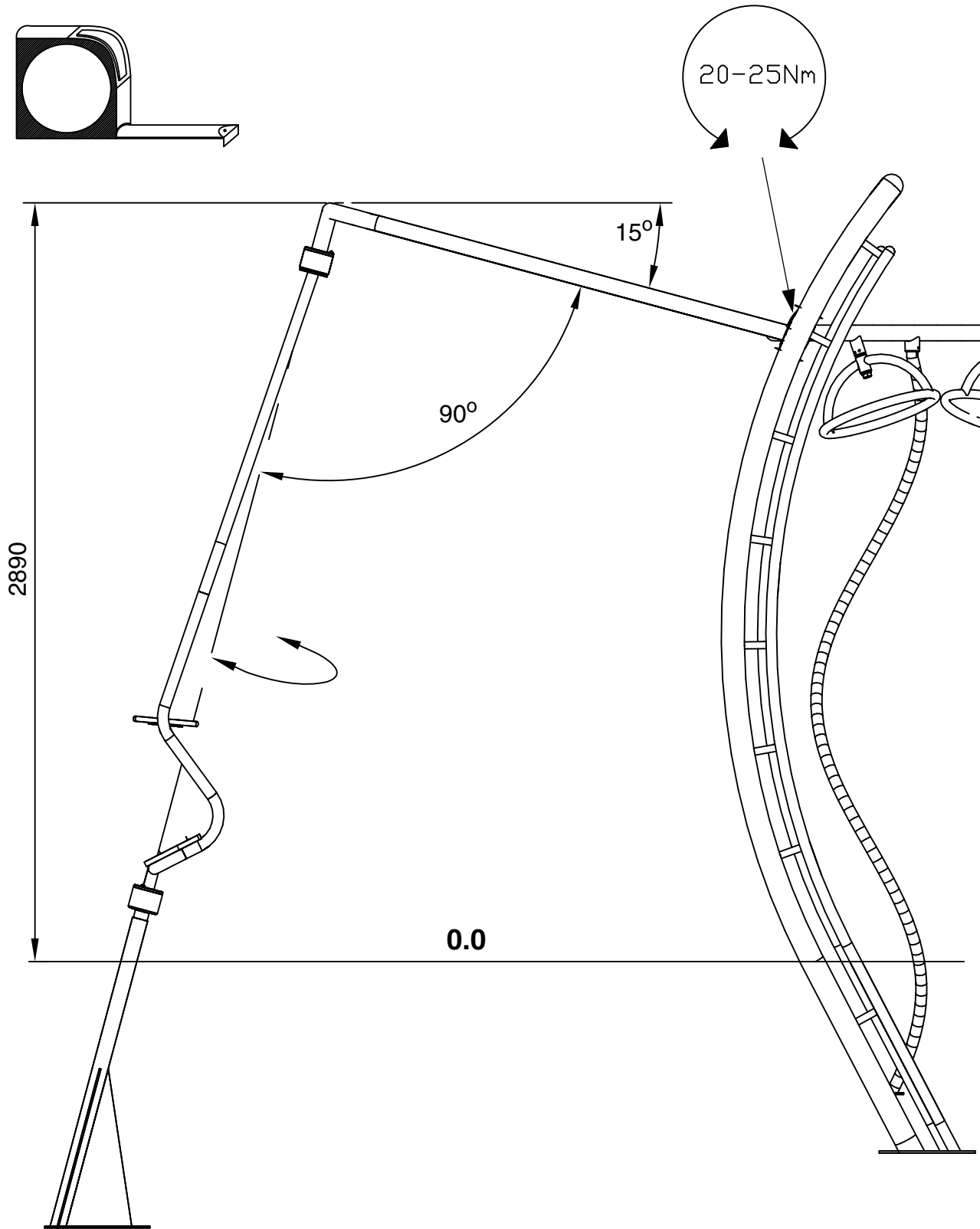
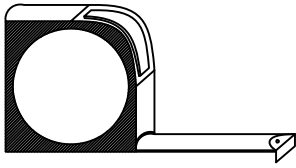
STEP 5



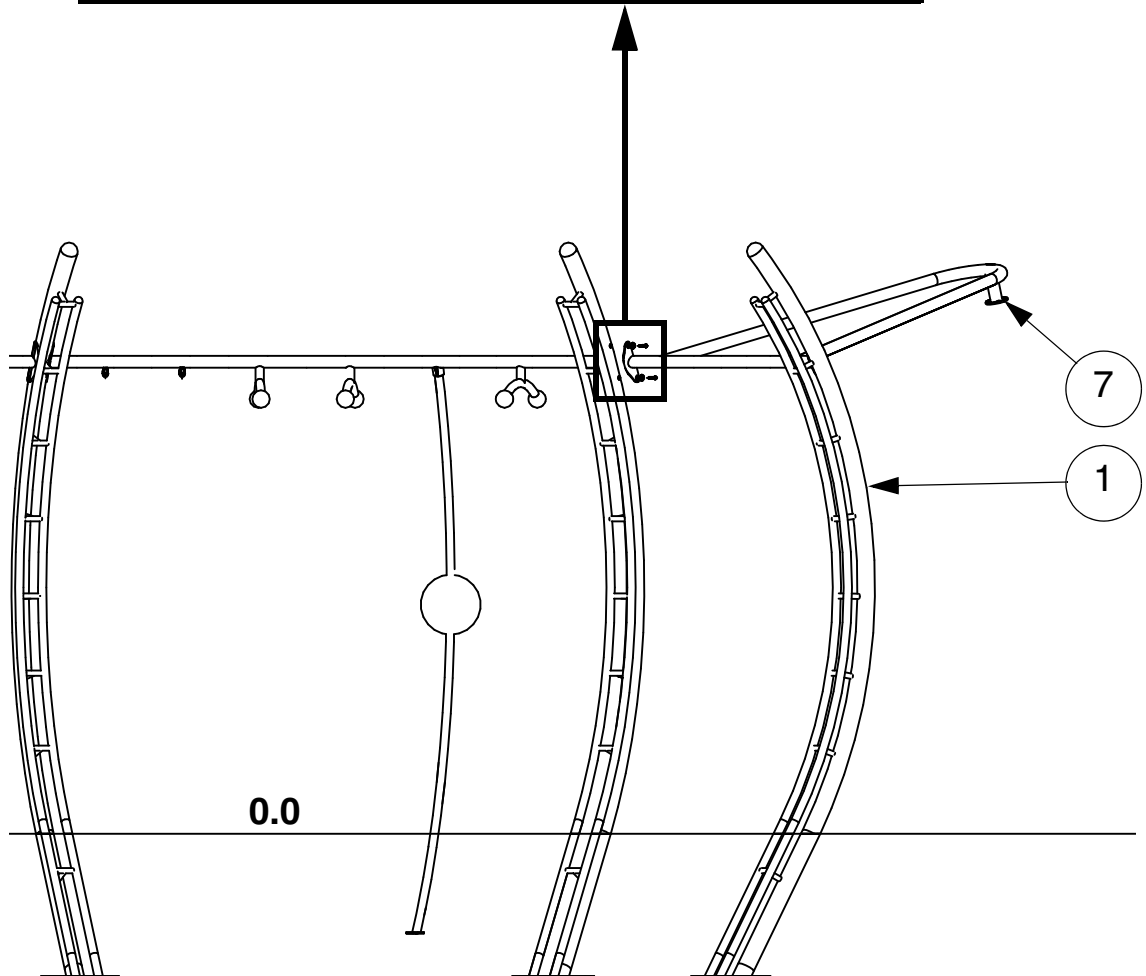
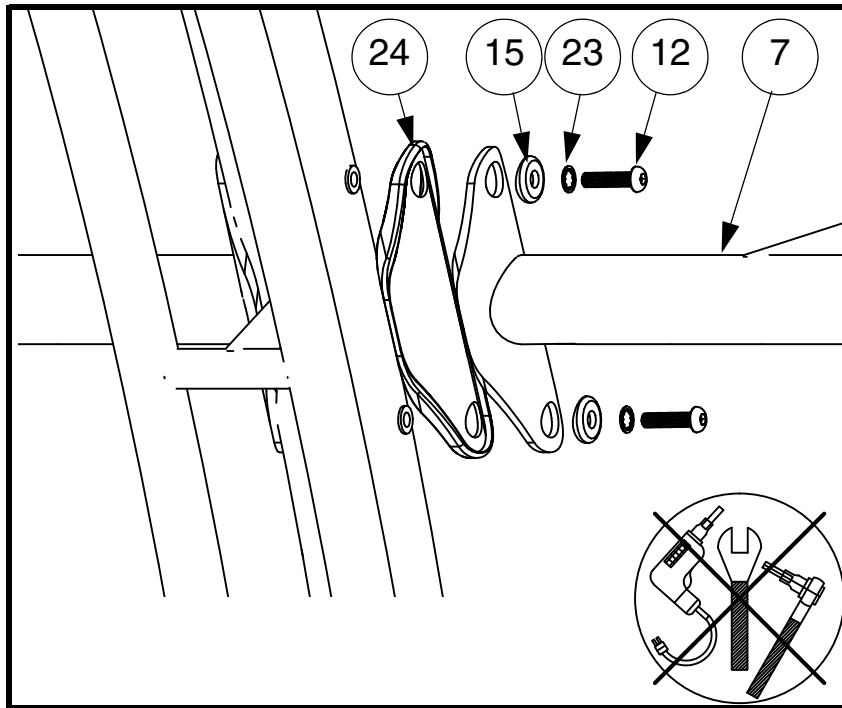
STEP 6



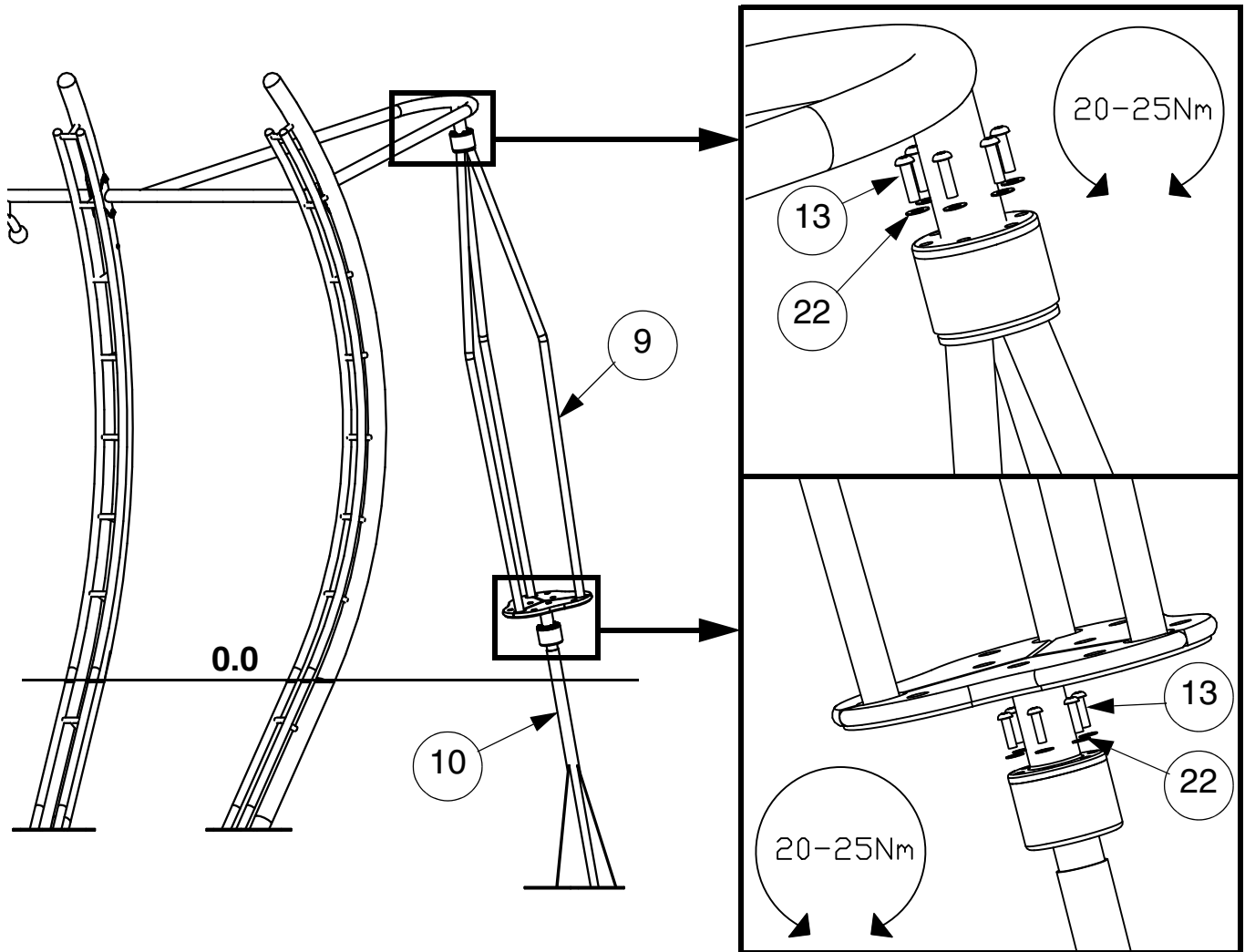
STEP 7



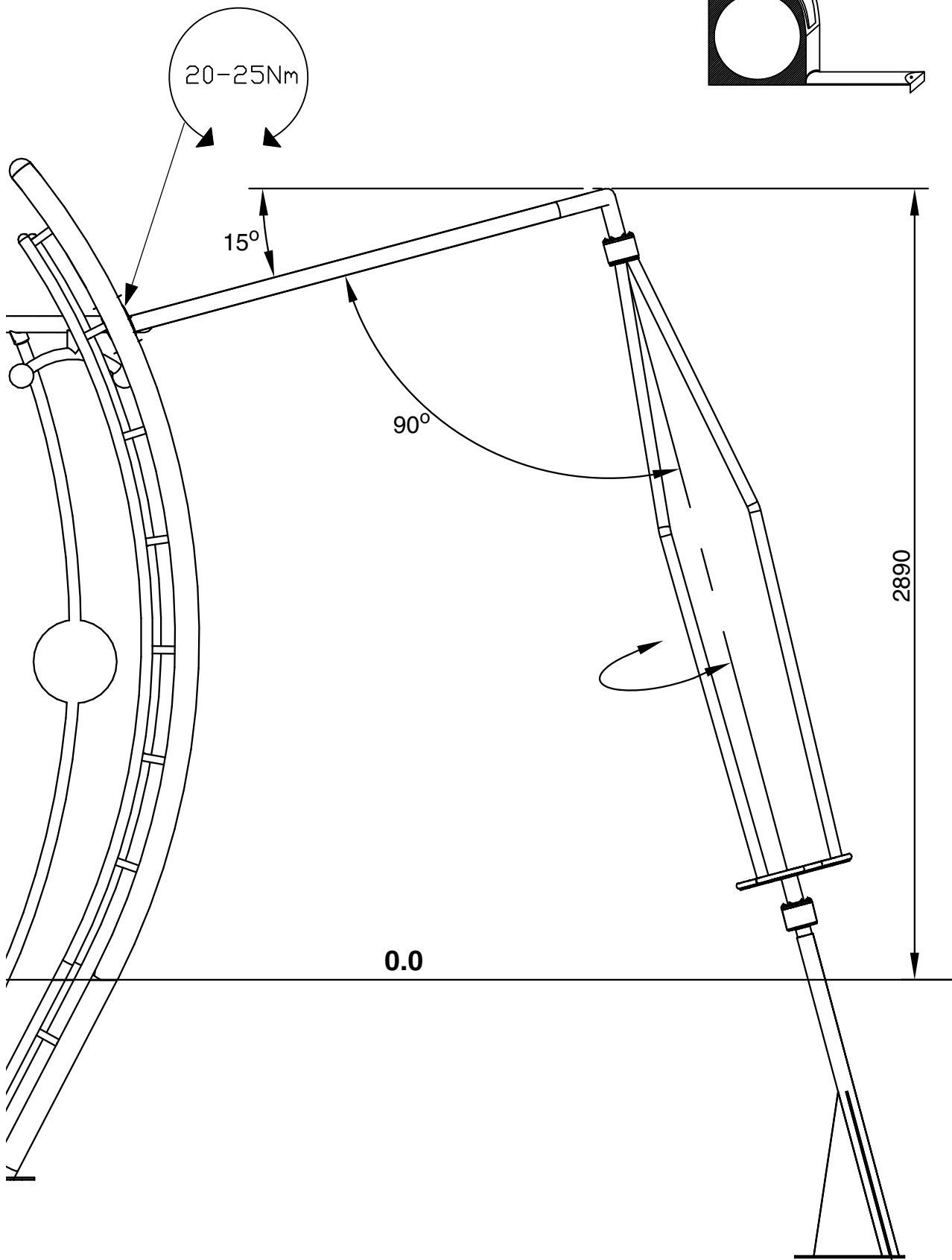
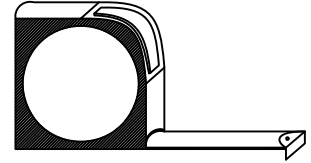
STEP 8



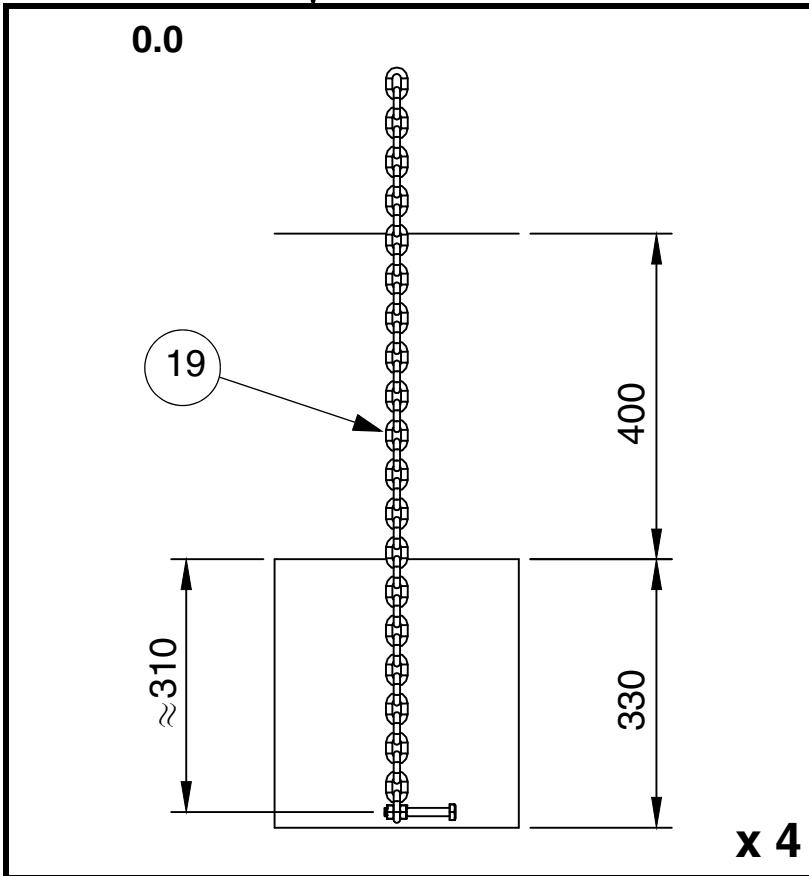
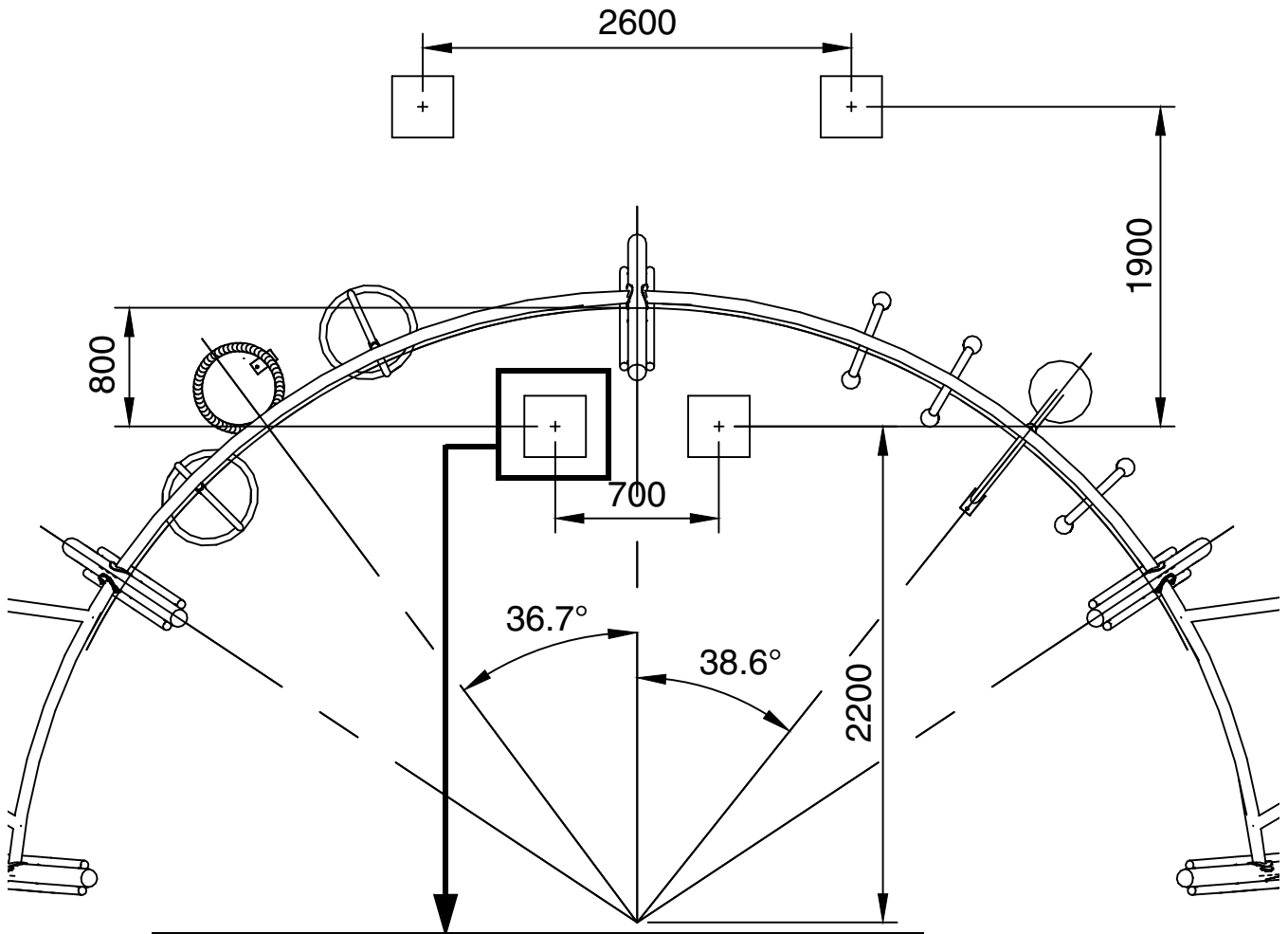
STEP 9



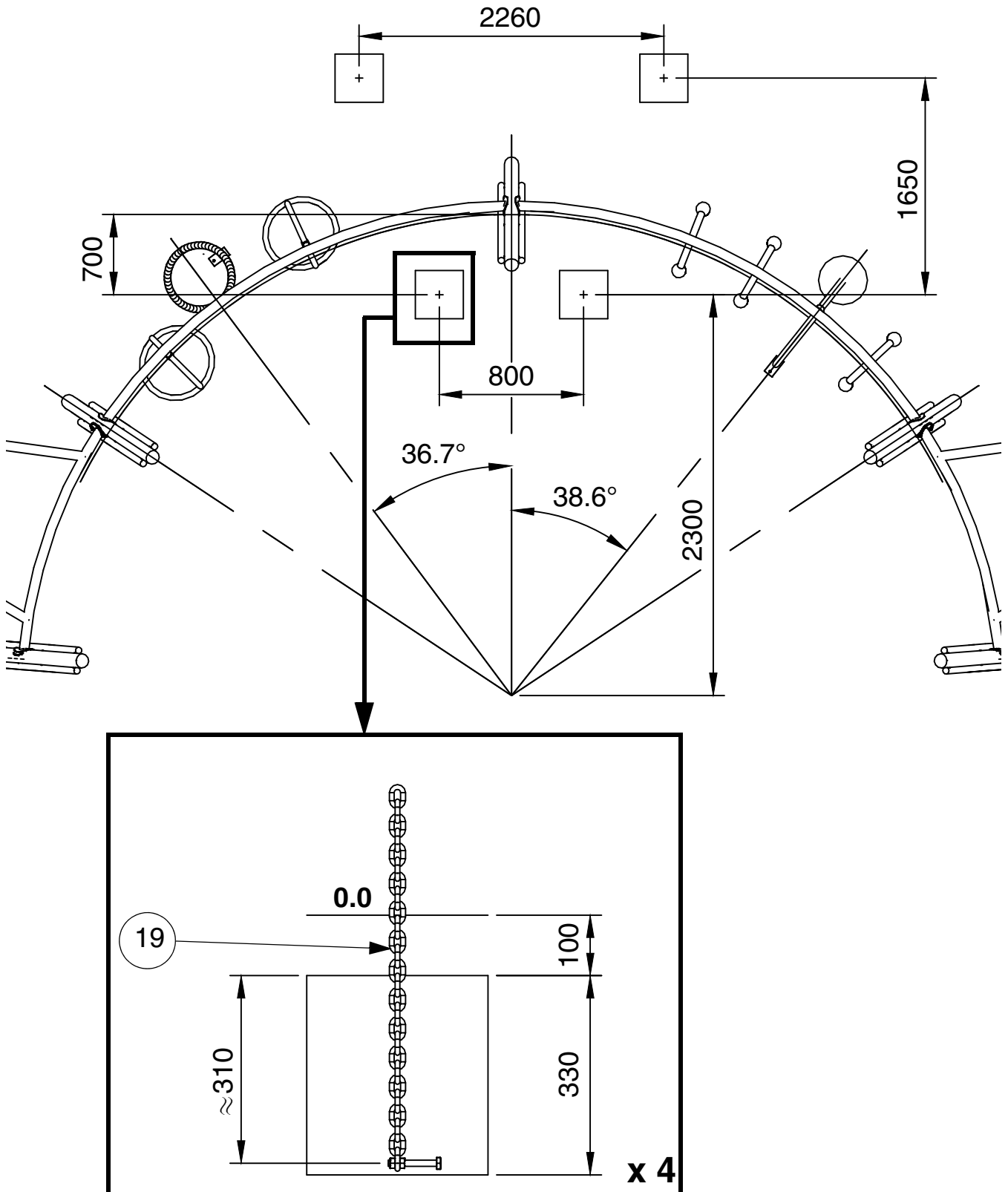
STEP 10



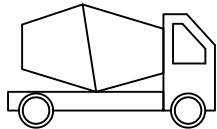


STEP 11A TYPE 1 & 2 101/144



STEP 11B TYPE 3  **101/144**

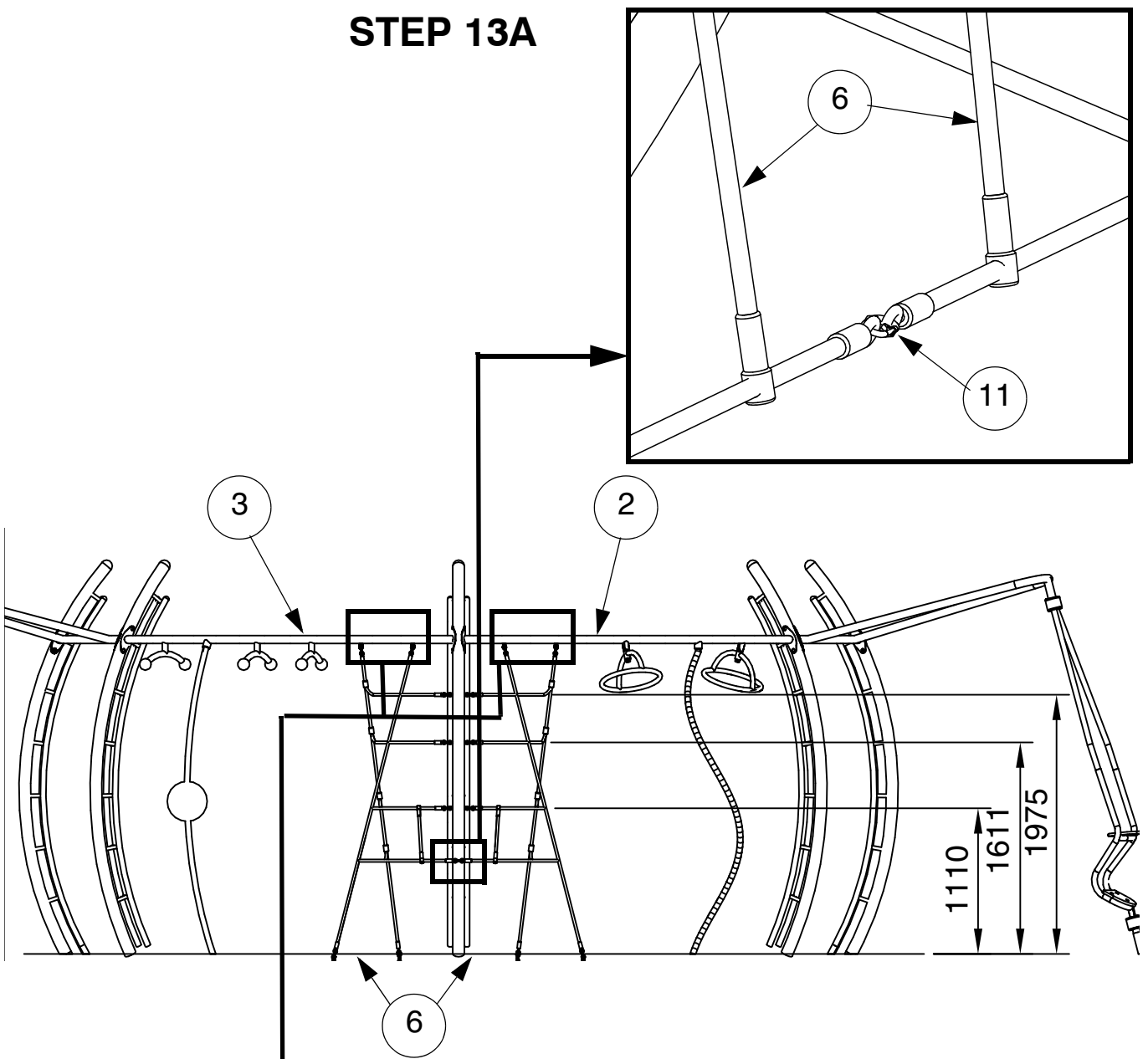


STEP 12

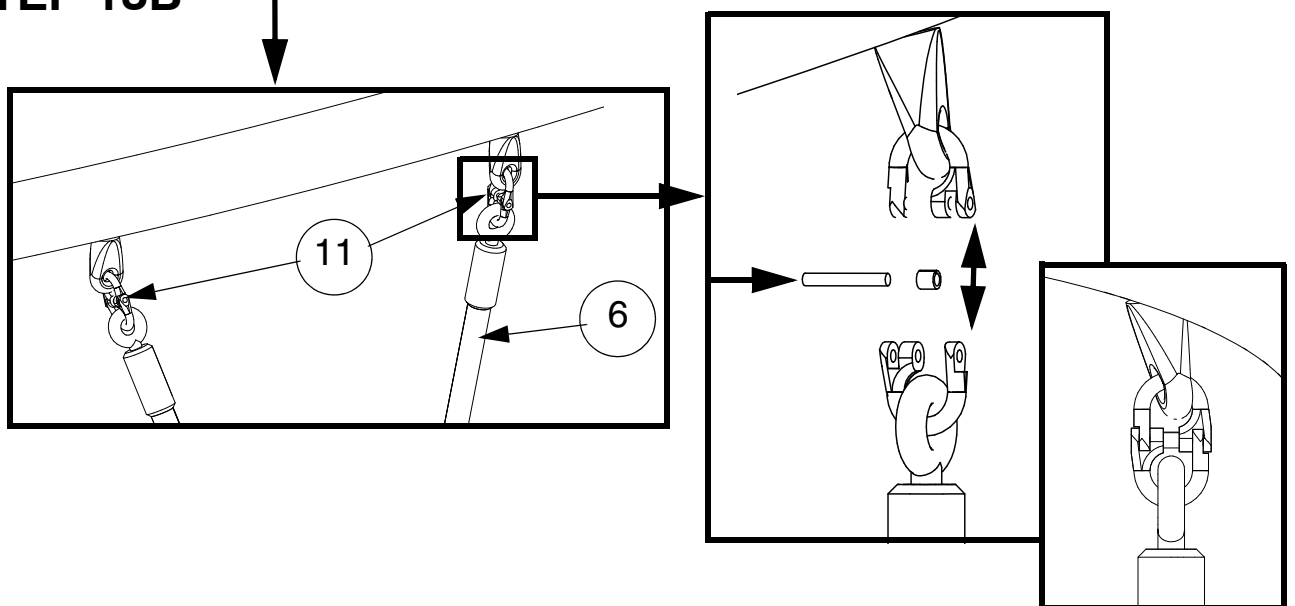

S2 (50mm)
≥C20-25
 7 x 24h
 101



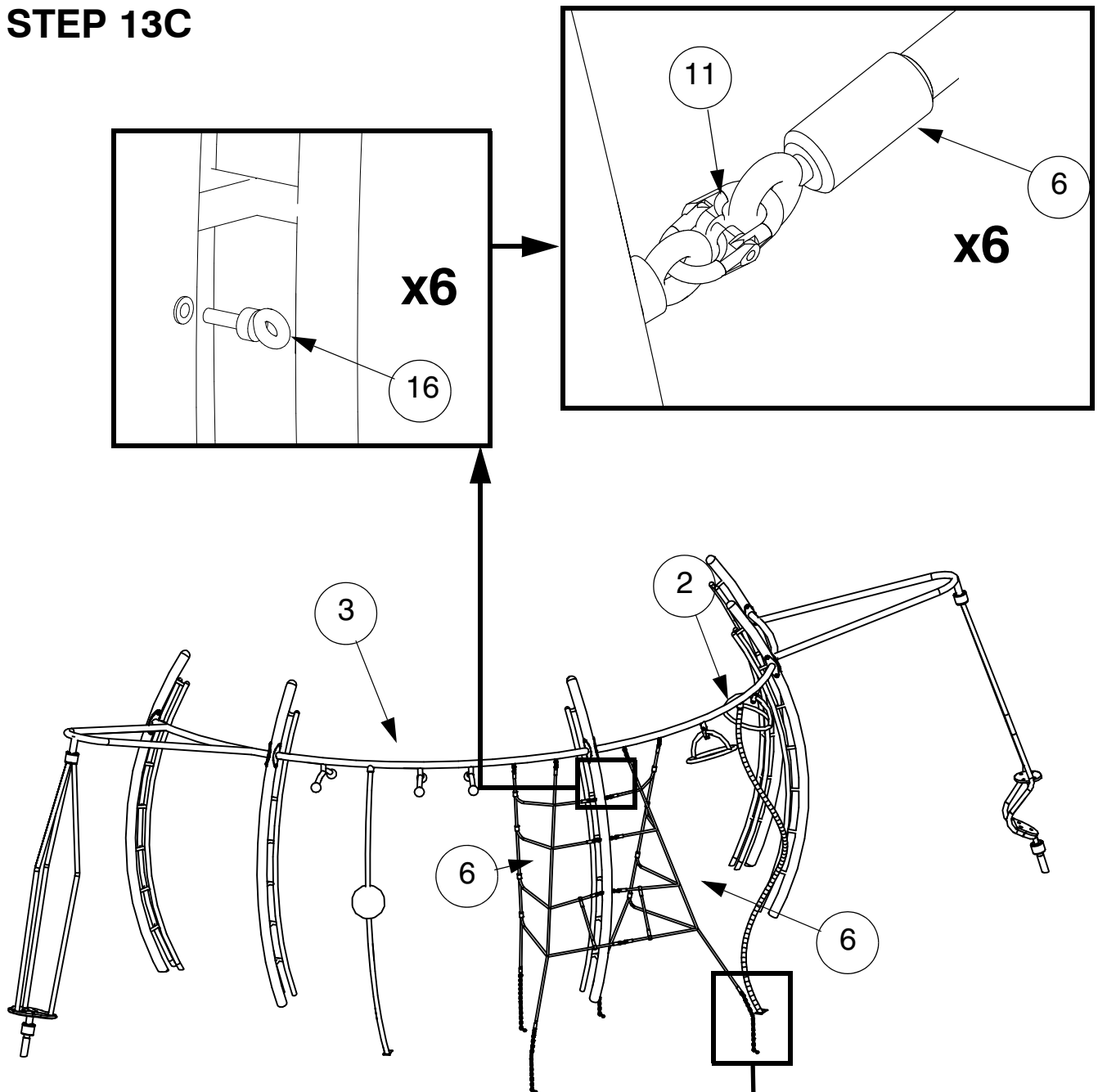
STEP 13A



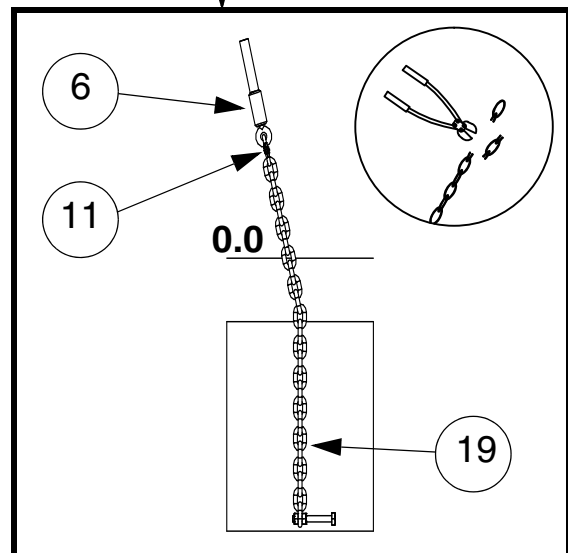
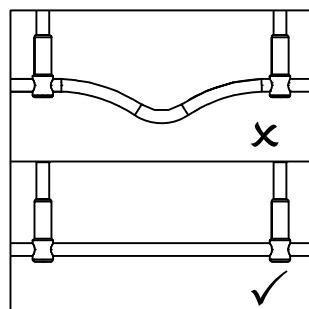
STEP 13B



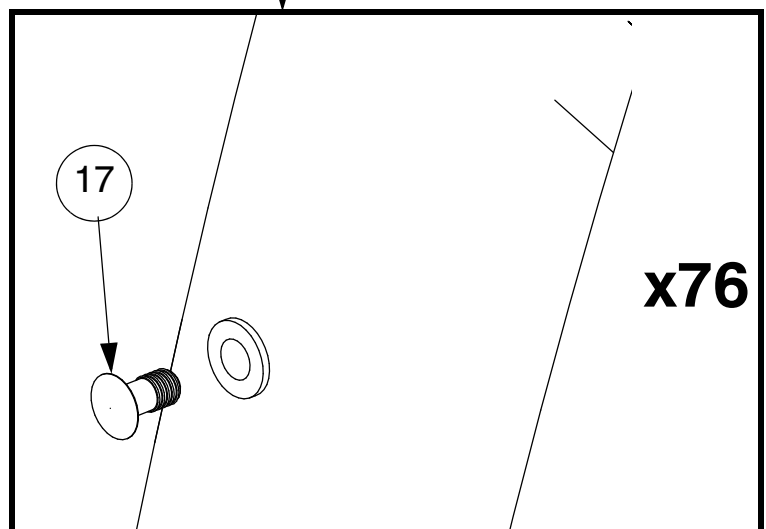
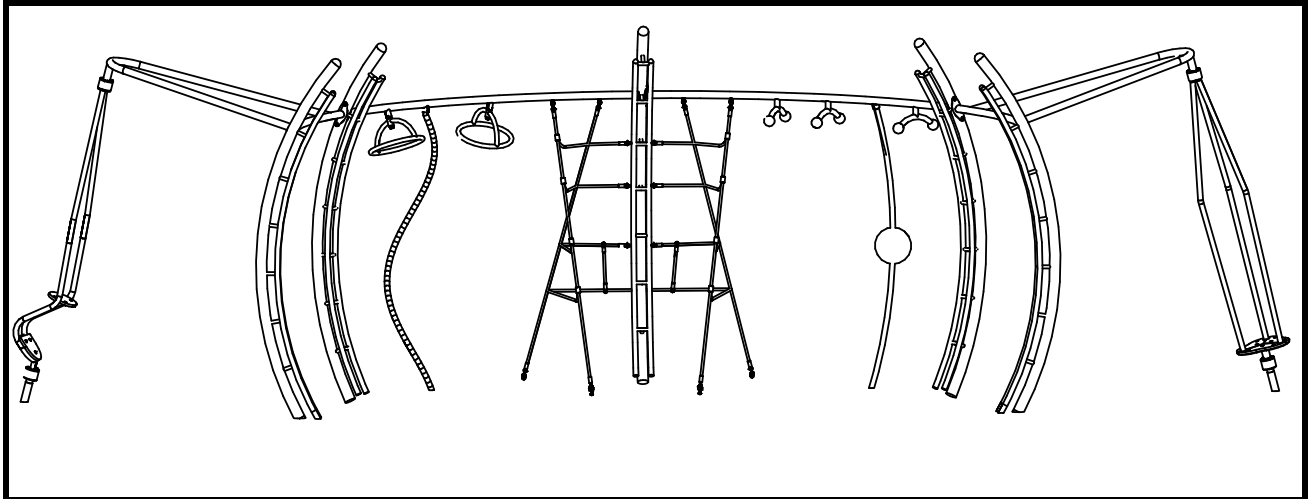
STEP 13C

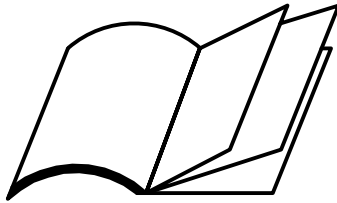


STEP 13D



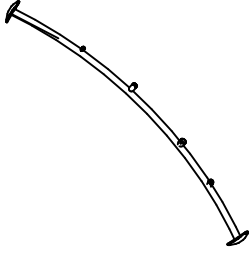

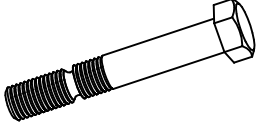
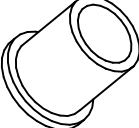
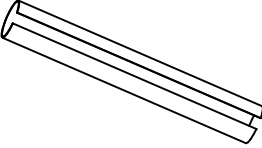
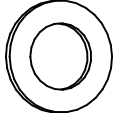
STEP 14

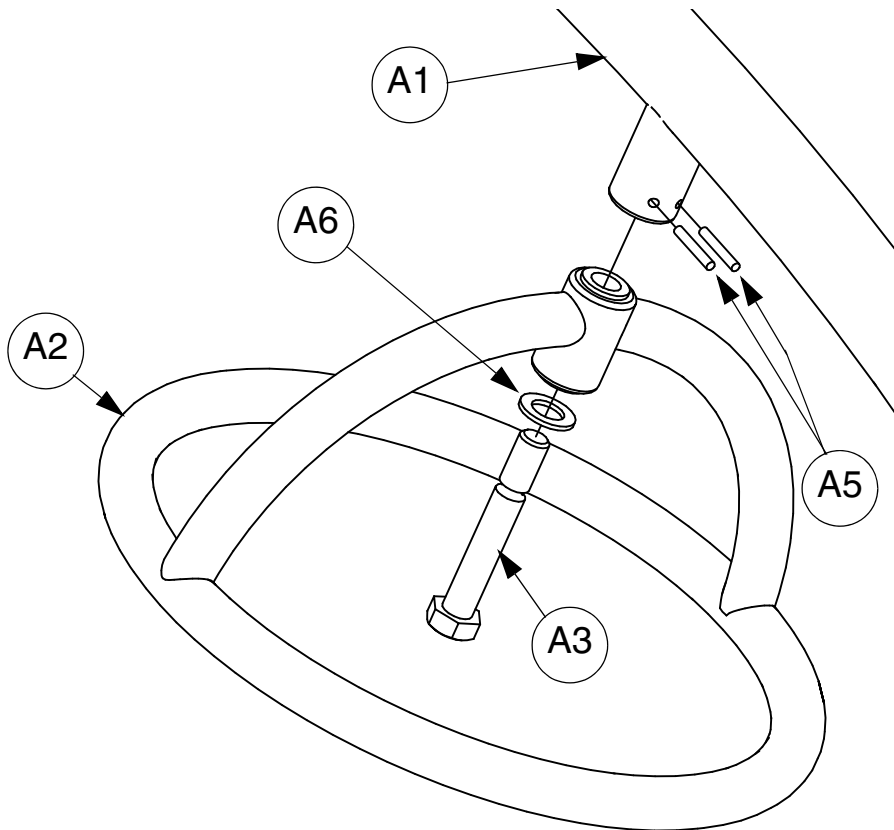
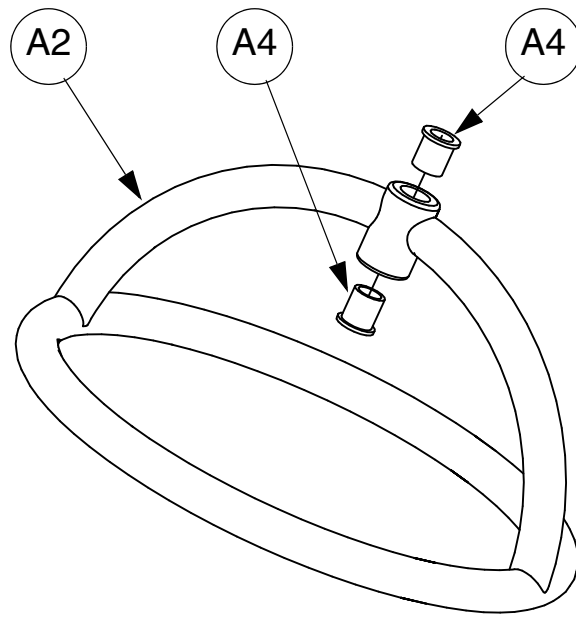




Appendix A:

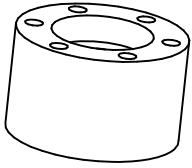
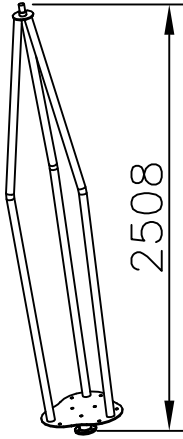
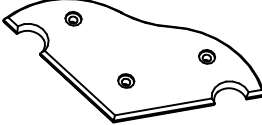
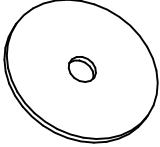
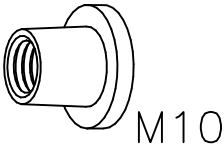
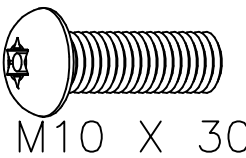
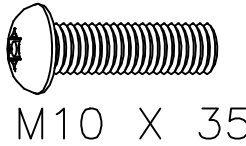
REF 38003010

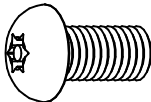
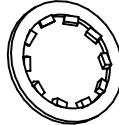
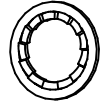
ITEM	REF.		QTY.	kg
A1	38003011		1	15.000
A2	38003017		2	5.000
A3	38003019		2	0.500
A4	15032620		4	0.050
A5	10310640		4	0.001
A6	10292000	 M20 22X37X3	2	0.005

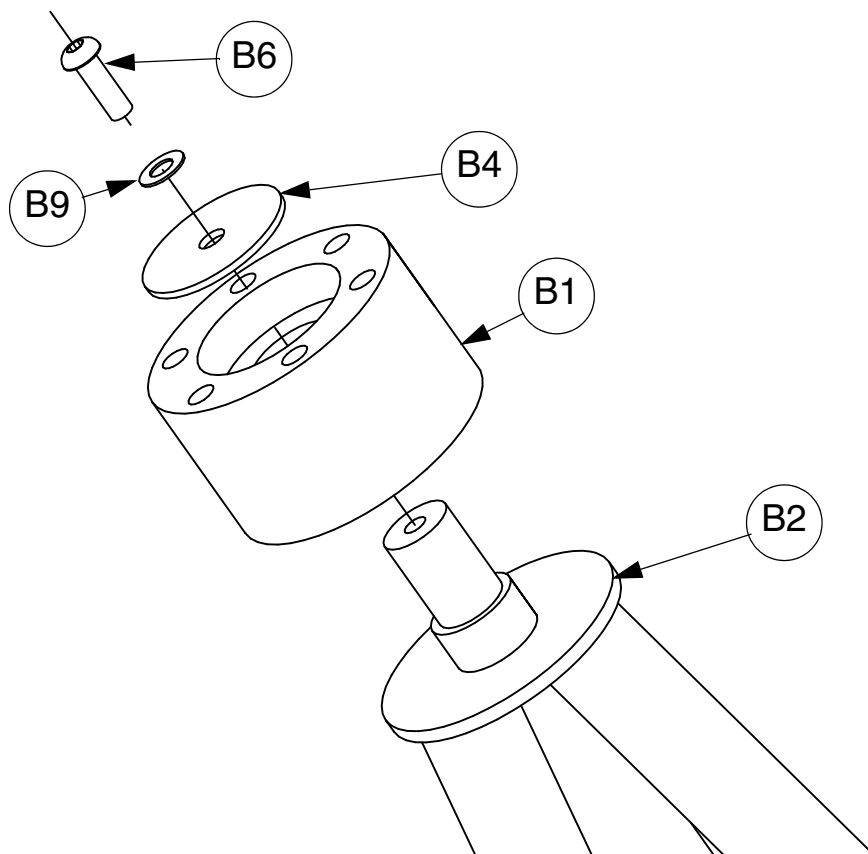


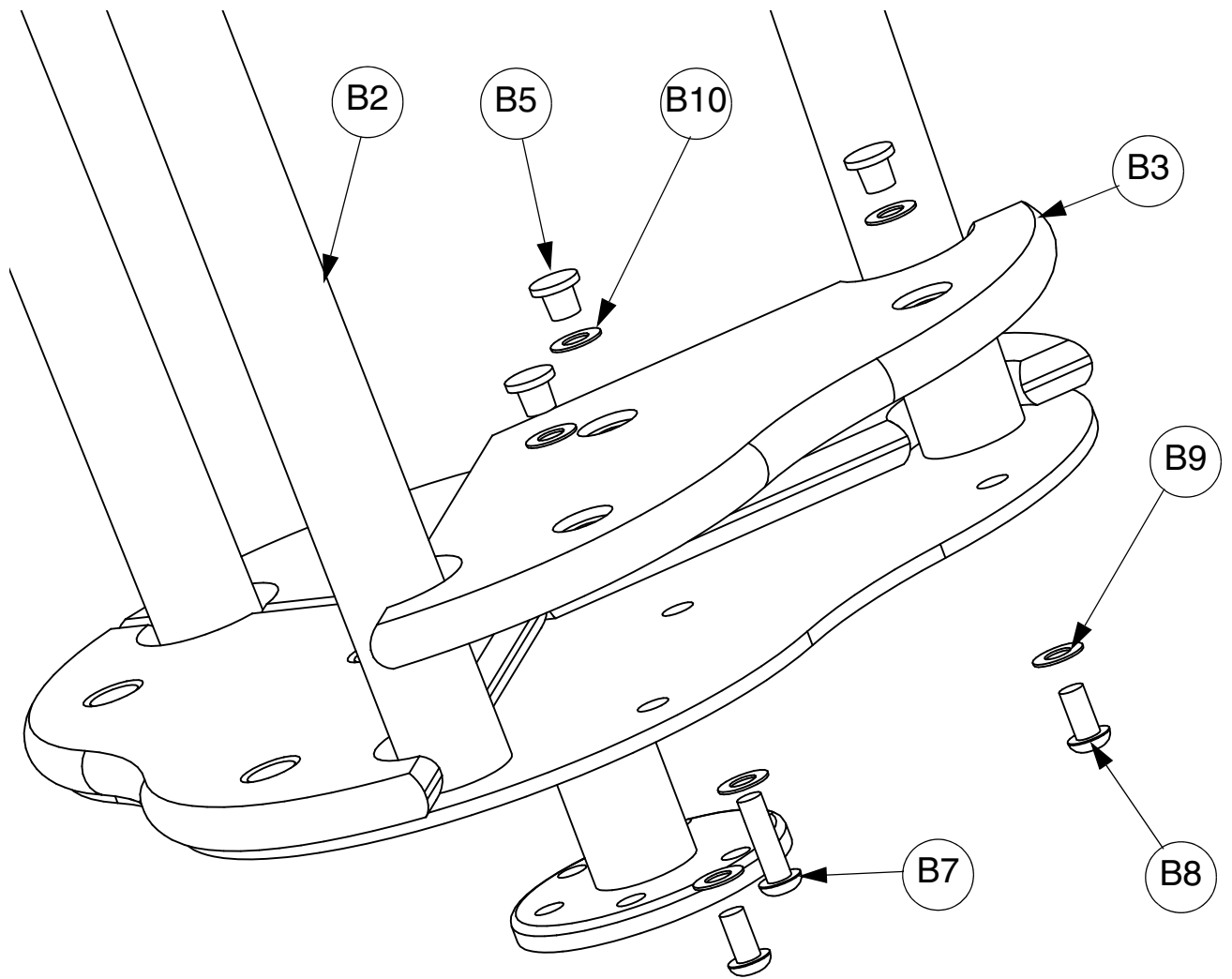
Appendix B:

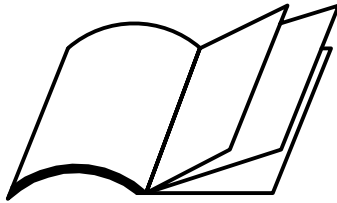
REF 38007030

ITEM	REF		QTY.	kg
B1	38007031		1	5.000
B2	38007034		1	35.000
B3	38007039		3	1.000
B4	38007054		1	0.080
B5	10931000		9	0.006
B6	10121030		1	0.028
B7	10121035		3	0.032

ITEM	REF		QTY.	kg
B8	10121020	 M10 X 20	6	0.020
B9	10301000	 M10 12X18X1	10	0.002
B10	10301200	 M12 13X20X1	9	0.002

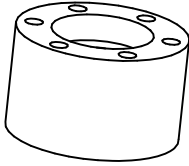
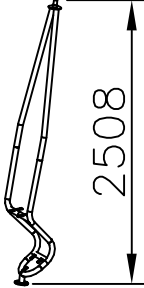
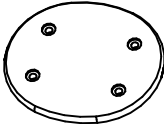
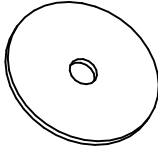
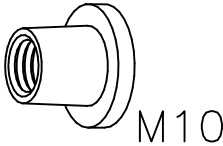
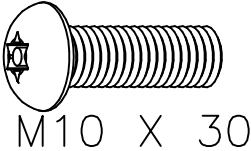
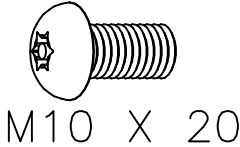
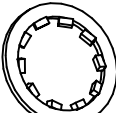


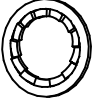
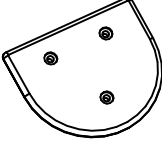


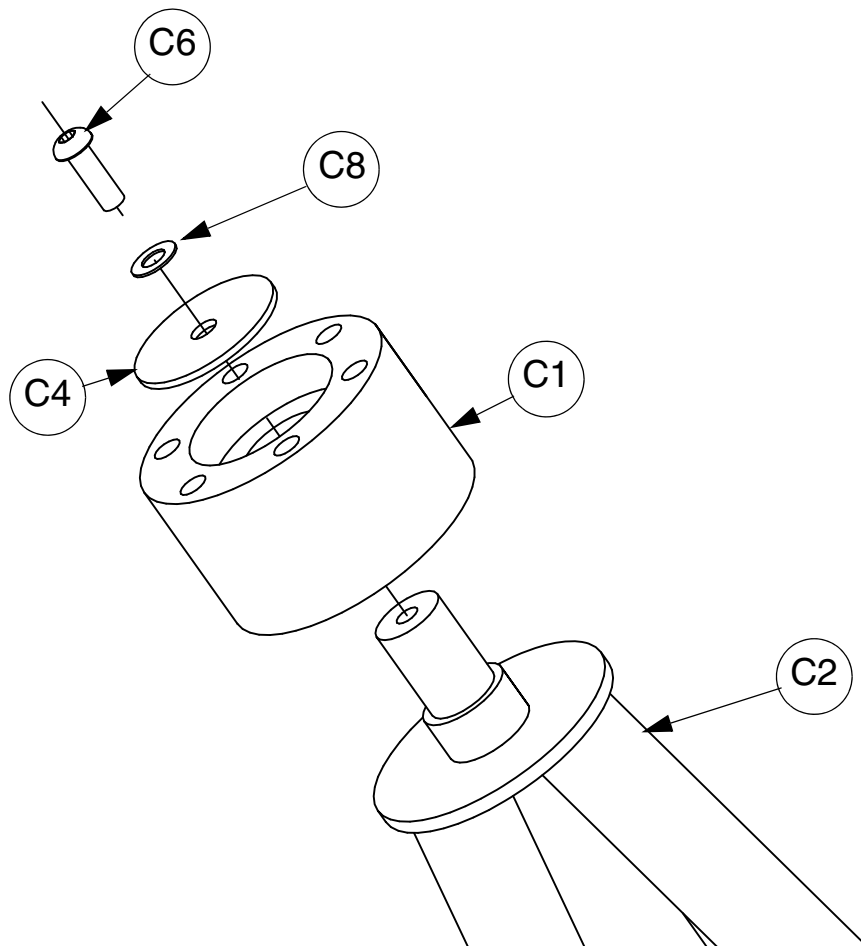


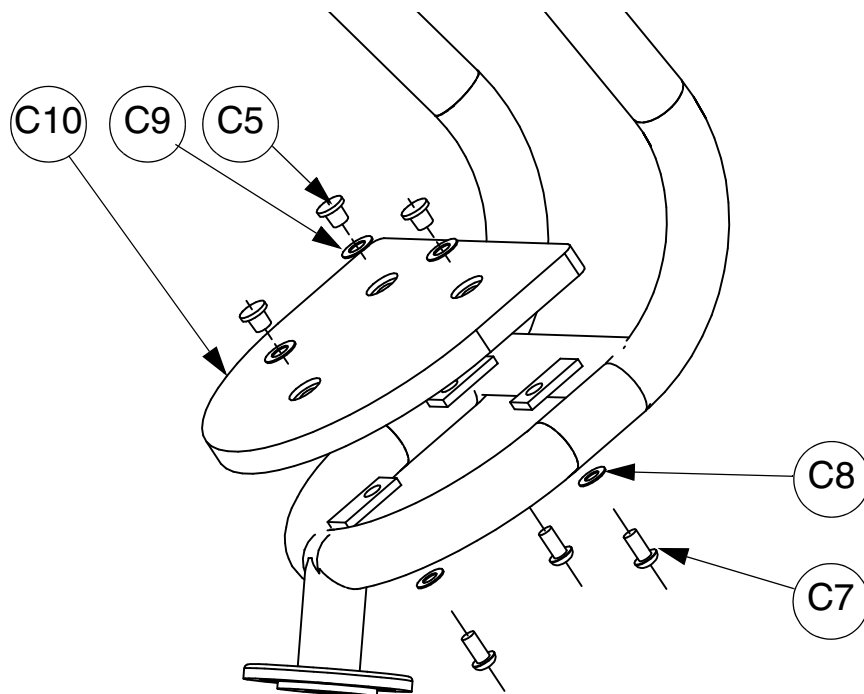
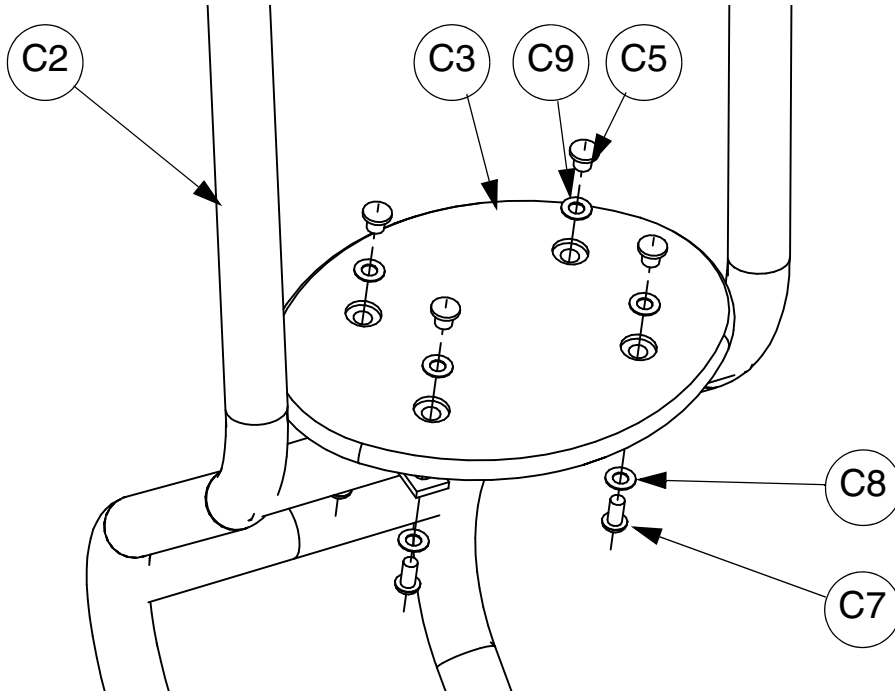
Appendix C:

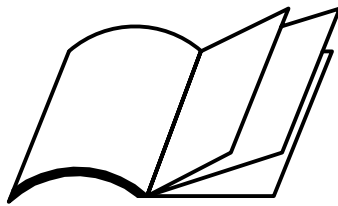
REF 38007050

ITEM	REF		QTY.	kg
C1	38007031		1	5.000
C2	38007051		1	35.000
C3	38007053		1	1.200
C4	38007054		1	0.080
C5	10931000		7	0.006
C6	10121030		1	0.028
C7	10121020		7	0.020
C8	10301000		8	0.002

ITEM	REF		QTY.	kg
C9	10301200	 M12 13X20X1	7	0.002
C10	38007055		1	1.200

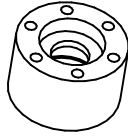
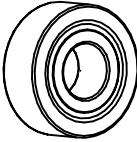
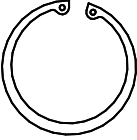


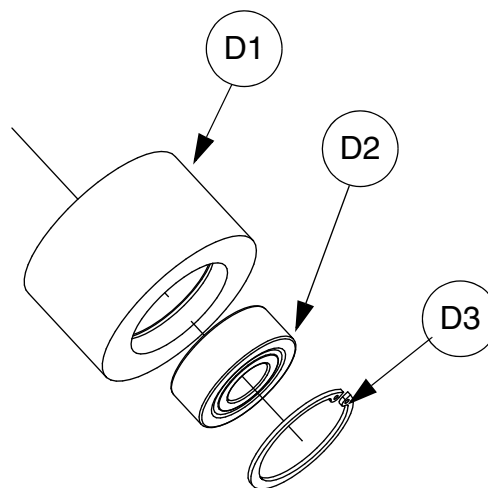


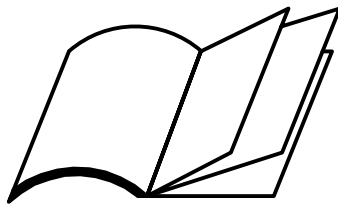


Appendix D:

REF 38007031

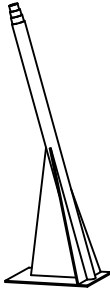
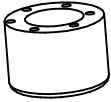
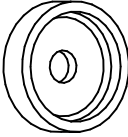
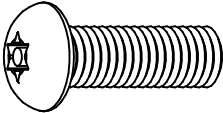
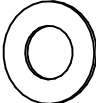
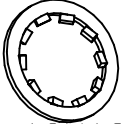
ITEM	REF		QTY.	kg
D1	38007032		1	4.500
D2	38007033		1	0.510
D3	10060072		1	0.001

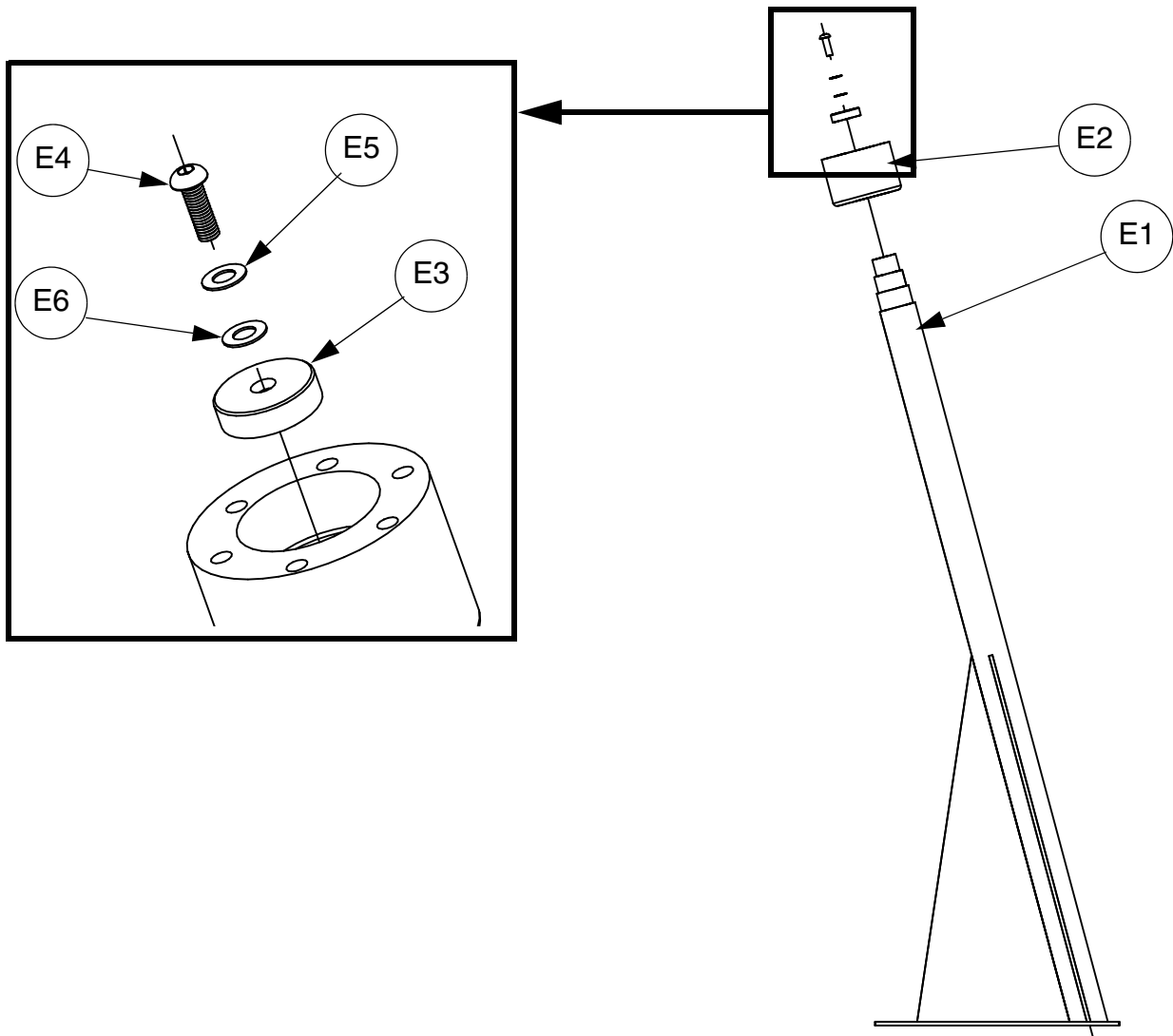




Appendix E:

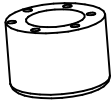



REF 38007070

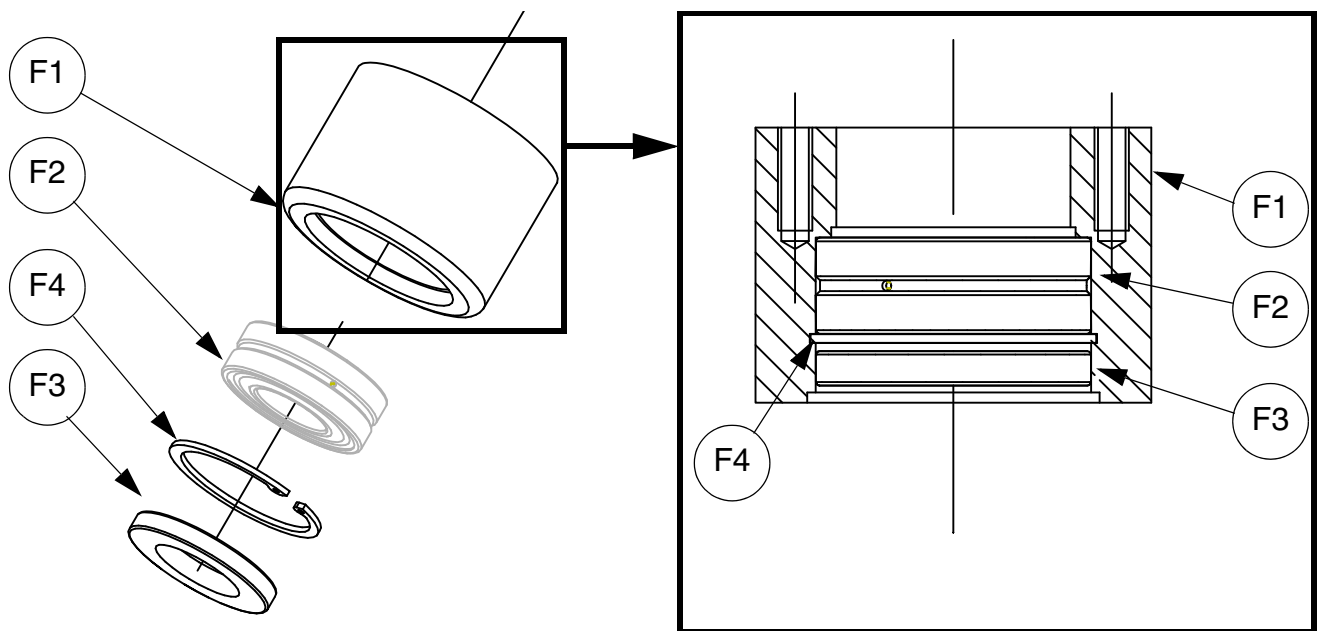
ITEM	REF.		QTY	kg
E1	38007071		1	32.000
E2	38007074		1	7.000
E3	38007073		1	0.100
E4	10121030	 M10 X 30	1	0.028
E5	10291000	 M10 11X21X1	1	0.002
E6	10301000	 M10 12X18X1	1	0.002




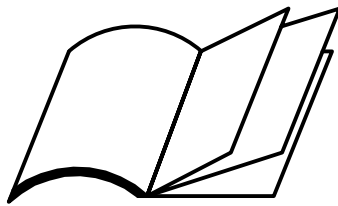
Appendix F:

REF 38007074

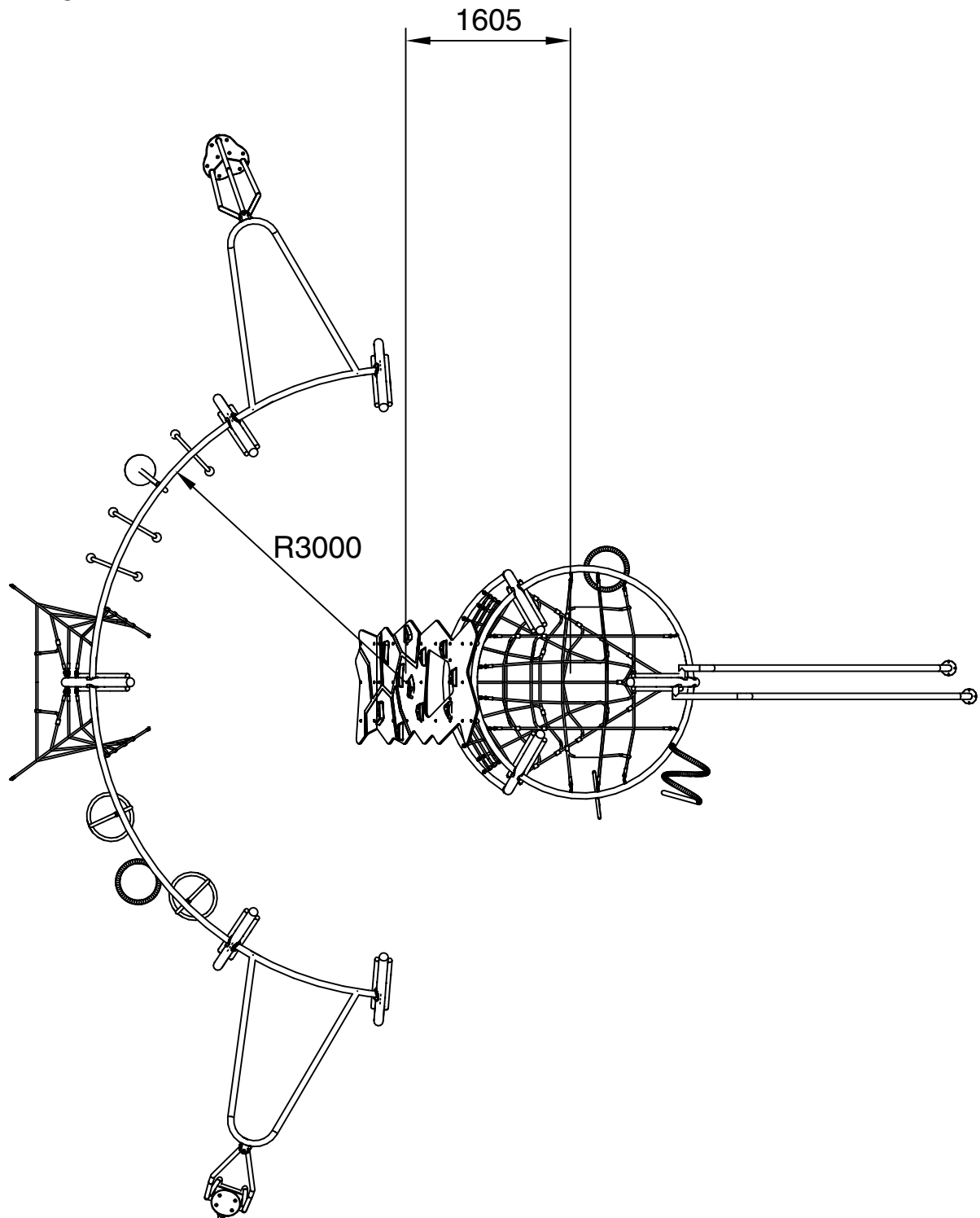
ITEM	REF.		QTY	kg
F1	38007082		1	7.000
* F2	71022208		1	0.520
F3	38007076		1	0.015
F4	10060032		1	0.010



* F2	38007075		1	0.520
---------	----------	---	---	-------



Appendix G:
NXV*4 NXC**



NXV*4 NXQ*2

