

AUTHORIZED BY:
Chris M. Newberry 20JAN04

BEFORE STARTING INSTALLATION OF YOUR LITTLE TIKES COMMERCIAL PRODUCT, "PLEASE READ INSTRUCTIONS THOROUGHLY"

SITE REQUIREMENTS:

This playevent is designed to suit a level site. Should there be any slopes on the site, care should be taken to accommodate the entry and exit points and to maintain the correct heights.

The site must be checked for adverse or unusual conditions. i.e.

- 1) Exposed, cracked or loose concrete footings.
- 2) Worn, scattered or compressed surface material.
- 3) Exposed roots, rocks or other environmental obstacles that form potential trip hazards.
- 4) Broken glass, refuse, or foreign objects around and on play equipment.
- 5) Poor drainage areas.
- 6) All sites especially those close to existing buildings must be checked for electrical or gas lines and drainage before digging.

MAINTENANCE:

As the owner, it is most important that you are aware of your responsibility for the safe use of your new play equipment. It is necessary to install equipment correctly according to the installation instructions provided and inspect the equipment regularly at intervals (minimum of quarterly, more often in a high use area). During inspection, if any part is found to be damaged or excessively worn, equipment should immediately be put out of service while the part is replaced. Lack of "maintenance" will result in premature wear, reduced life expectancy and possible failure.

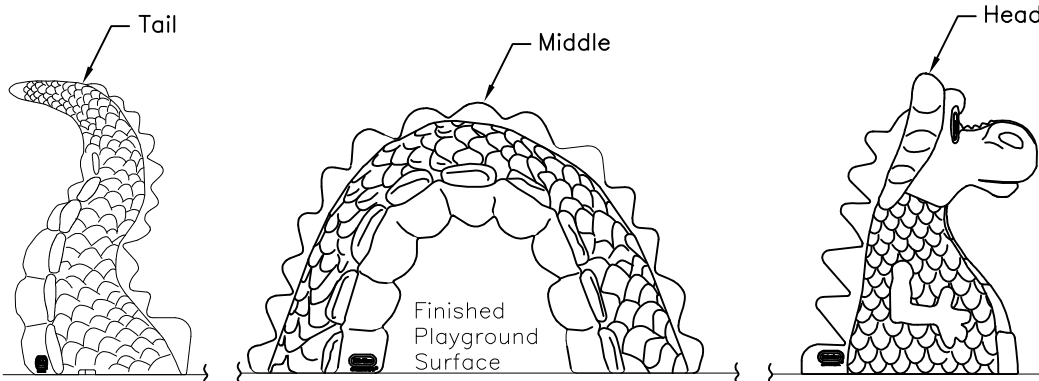
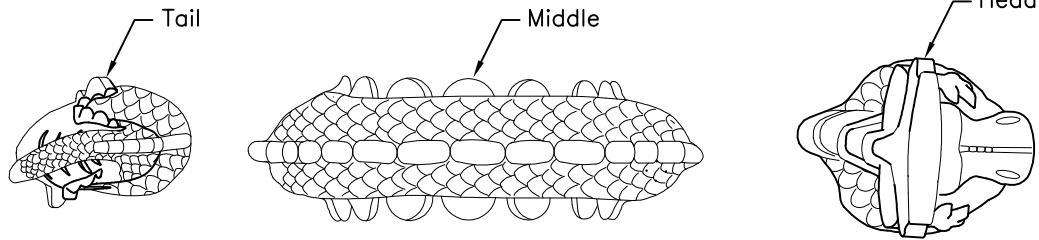
All Little Tikes Commercial Play Systems playevents have been designed and engineered to meet all applicable safety guidelines, but if installed improperly, problems may occur. Once your installation is complete, always inspect your work. Installation must be done to the manufacturer's assembly manual and applicable safety guidelines and/or standards.

ALL CHILDREN SHOULD BE SUPERVISED WHILE PLAYING ON EQUIPMENT.

SAFETY AREAS:

The area immediately surrounding and above the play structure must be free of obstructions such as: buildings, trees, other play equipment, etc., and must be kept clear for entries, exits, traffic and falls. Make sure your site has the required surfacing and fall area designated on your Playground Layout Drawings.

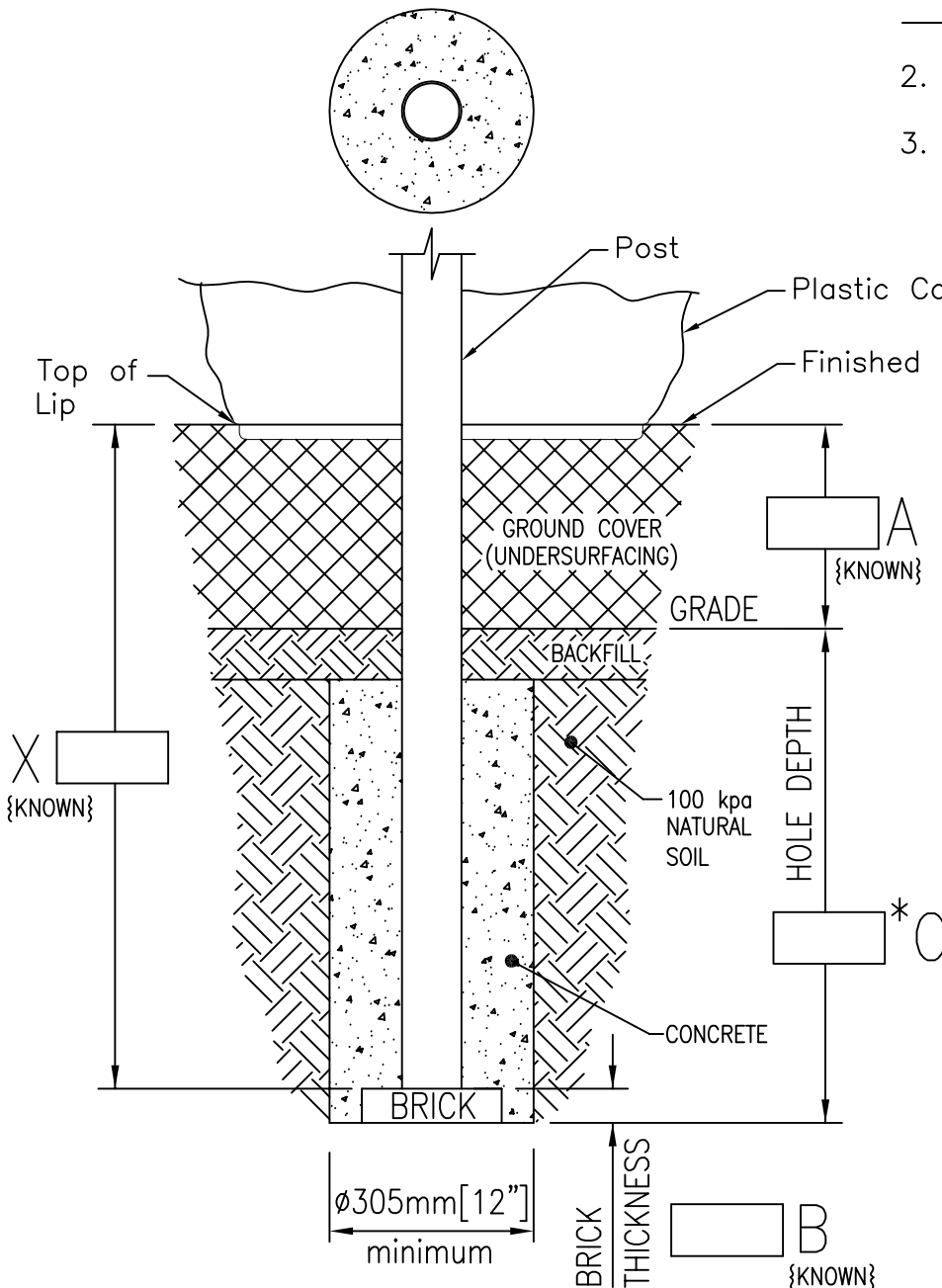
Refer to Sheet 5 for Footing Layout & Fall Zone



AUTHORIZED BY: 20JAN04
Chris M. Rep. Lewis

POST FOOTING (INGROUND/LOOSE FILL)

1. Complete the calculation sheet below (fill in blocks X thru C).
2. Footing size may vary due to local soil and weather conditions.
3. Base of Footing must be below frost line.



X: Distance from bottom of post to top of lip on plastic component {known}.

A: Ground Cover Depth {known}.

B: Brick Thickness {known}.

C: Hole Depth = [X] - [A] + [B].

* Minimum 610mm [24"] + Brick Thickness = Hole Depth required

Hole Depth Chart

Footing Hole	X	A	B	C
Example	41"	12"	3"	32"
Head				
1				
2				
3				
Mid				
4				
5				
6				
7				
Tail				
8				
9				

HOW MUCH CONCRETE?

VOLUME OF CONCRETE REQUIRED FOR FOOTINGS:

$$= 0.067 \text{ M}^3 \times \left\{ \frac{\text{CONCRETE DEPTH (mm)}}{915} \right\} \times \text{No. OF FOOTING HOLES} = \text{M}^3$$

$$= 0.087 \text{ Yard}^3 \times \left\{ \frac{\text{CONCRETE DEPTH (IN)}}{36} \right\} \times \text{No. OF FOOTING HOLES} = \text{Yard}$$

NOTES: - TO CALCULATE CUBIC FEET, MULTIPLY CUBIC YARD BY 27
- 94 lbs OF CONCRETE = 1 CUBIC FOOT.



commercial play systems

DRAGON CHALLENGE

200146334
1900027A-S3
Sheet 3 of 5

AUTHORIZED BY:
Chris M. Newberry 20JAN04

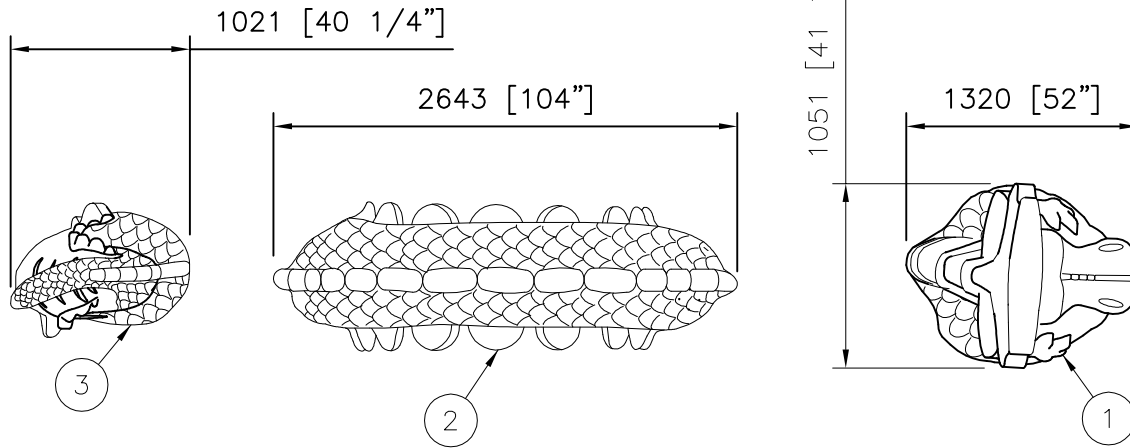
DRAGON CHALLENGE (HEAD, MIDDLE, TAIL)
200200246

DRAGON CHALLENGE HEAD
200200247

DRAGON CHALLENGE MID
200200248

DRAGON CHALLENGE TAIL
200200249

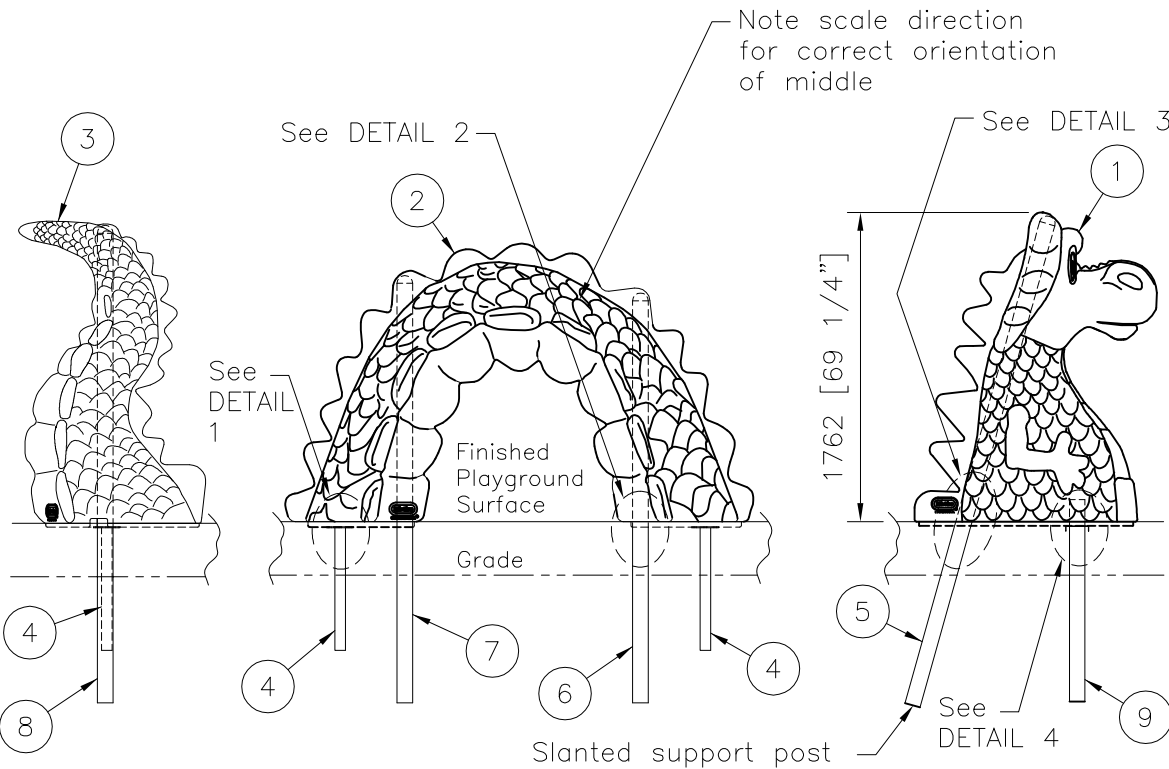
HARDWARE BAG
200146333



Item	Code	Description	Qty.
1	-	DRAGON HEAD	1
2	-	DRAGON MIDDLE	1
3	-	DRAGON TAIL	1
4	200023329	POST ING F/LOOSE FILL DINOSAUR/GATOR	3
5	200146332	POST SUPP. FRONT F/SEA DRAGON HEAD	1
6	200146258	POST SUPP. FRONT F/SEA DRAGON MIDDLE	1
7	200146259	POST SUPP. REAR F/SEA DRAGON MIDDLE	1
8	200146260	POST SUPP. F/SEA DRAGON TAIL	1
9	200146335	POST SUPP.DBL F/DRAGON HEAD UNP	1
10	200143960	SCREW LAG HEX 3/8" X 1-1/4" 18-8 S.S.	12
11	200002079	WASHER FLAT M11 23 X 12 X 1.6	12
12	200002002	SCREW DRILL HEX HEAD M6.3 X 1.81 X 65MM	12
13	200013130	WASHER FLAT 1/4" SS (3/4" O.D.)	12

Application

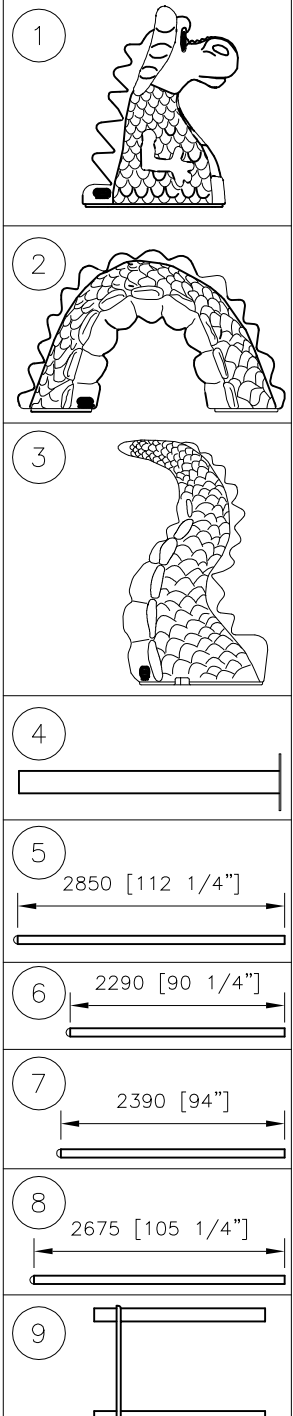
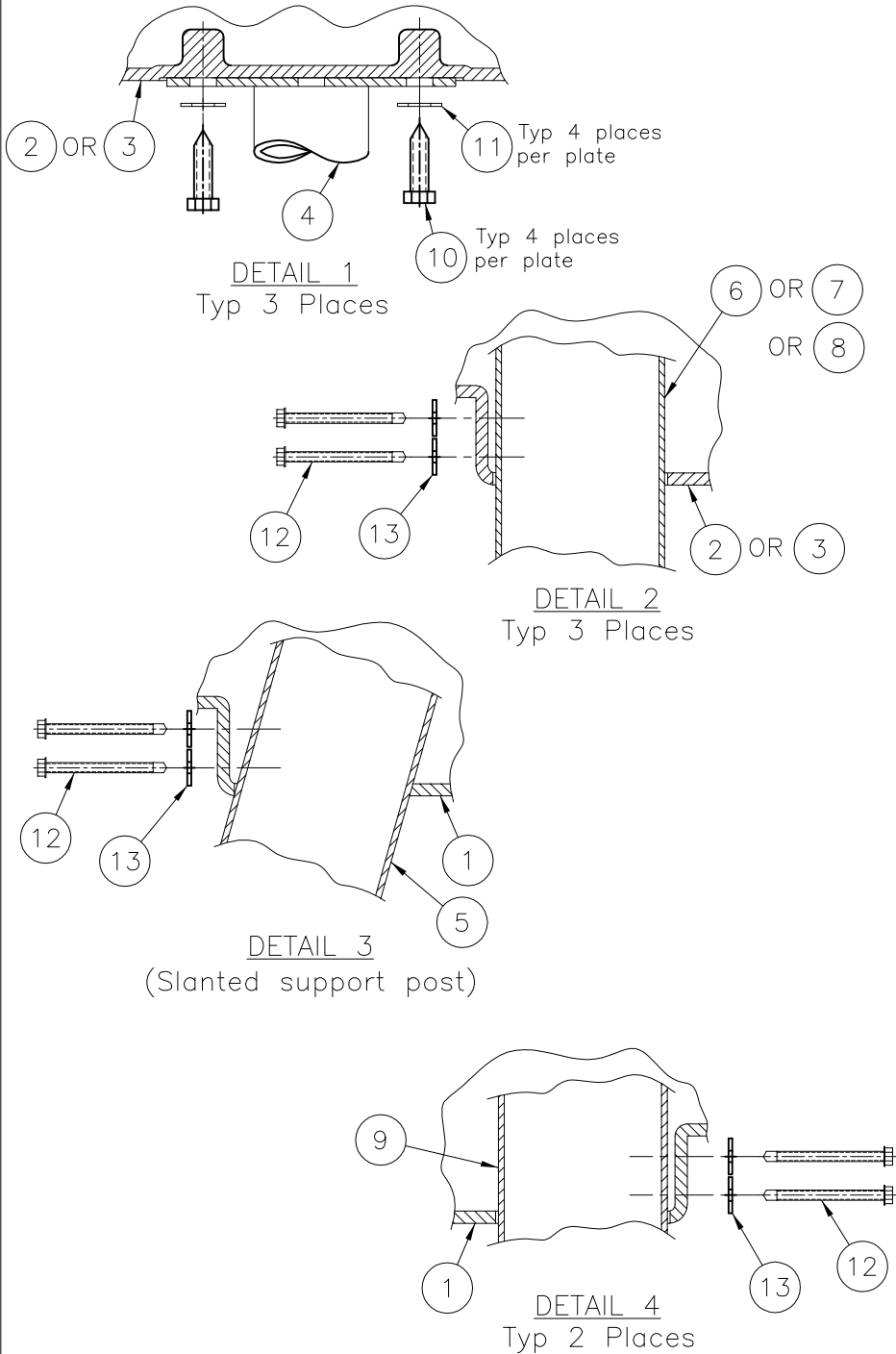
- Age group: 5 - 12 year olds
- Inground Mount Only



Refer to Sheet 5 for Footing Layout & Fall Zone



AUTHORIZED BY:
Chris M. Newberry 20JAN04



Installation Instructions

Head:

- Slide Double Post Support into the front 2 holes in the bottom of the Dragon Head. **NOTE:** The steel plate should be oriented so it does not stick out beyond the periphery of the plastic. Secure with self-drilling screws as shown in DETAIL 4.
- Slide Post (Item 5—Longest post) into the hole in the bottom of the head. Push post as far in as possible and ensure the cap is seated in the head (post may rock sideways a little). Secure with self-drilling screws as shown in DETAIL 3.
- Measure from the bottom of the posts up the top edge of the lip around the base of the Dragon. Note these distances in the chart on page 2 to determine depth of holes.

Mid Section:

- Orient the scales of the Mid Section to determine the front.
- Slide the Mid Posts (Items 6 & 7) into the two holes as shown in Side View (Note Longer post goes in the rear). Ensure that the posts are fully seated into the bumps as shown in Side View. Secure with self drilling screws as shown in DETAIL 2.
- Attach 2 of the shorter posts with plates (item 4) with screws as shown in DETAIL 1.
- Measure from the bottom of the posts up the top edge of the lip around the base of the Dragon. Note these distances in the chart on page 2 to determine depth of holes.

Tail:

- Slide the remaining Post (Item 8) into the hole in the tail as shown in Side View. Ensure that the post is fully seated into the tail as shown in the Side View. Secure with self drilling screws as shown in DETAIL 2.
- Attach 1 of the shorter posts with plates (item 4) with screws as shown in DETAIL 1.
- Measure from the bottom of the posts up the top edge of the lip around the base of the Dragon. Note these distances in the chart on page 2 to determine depth of holes.

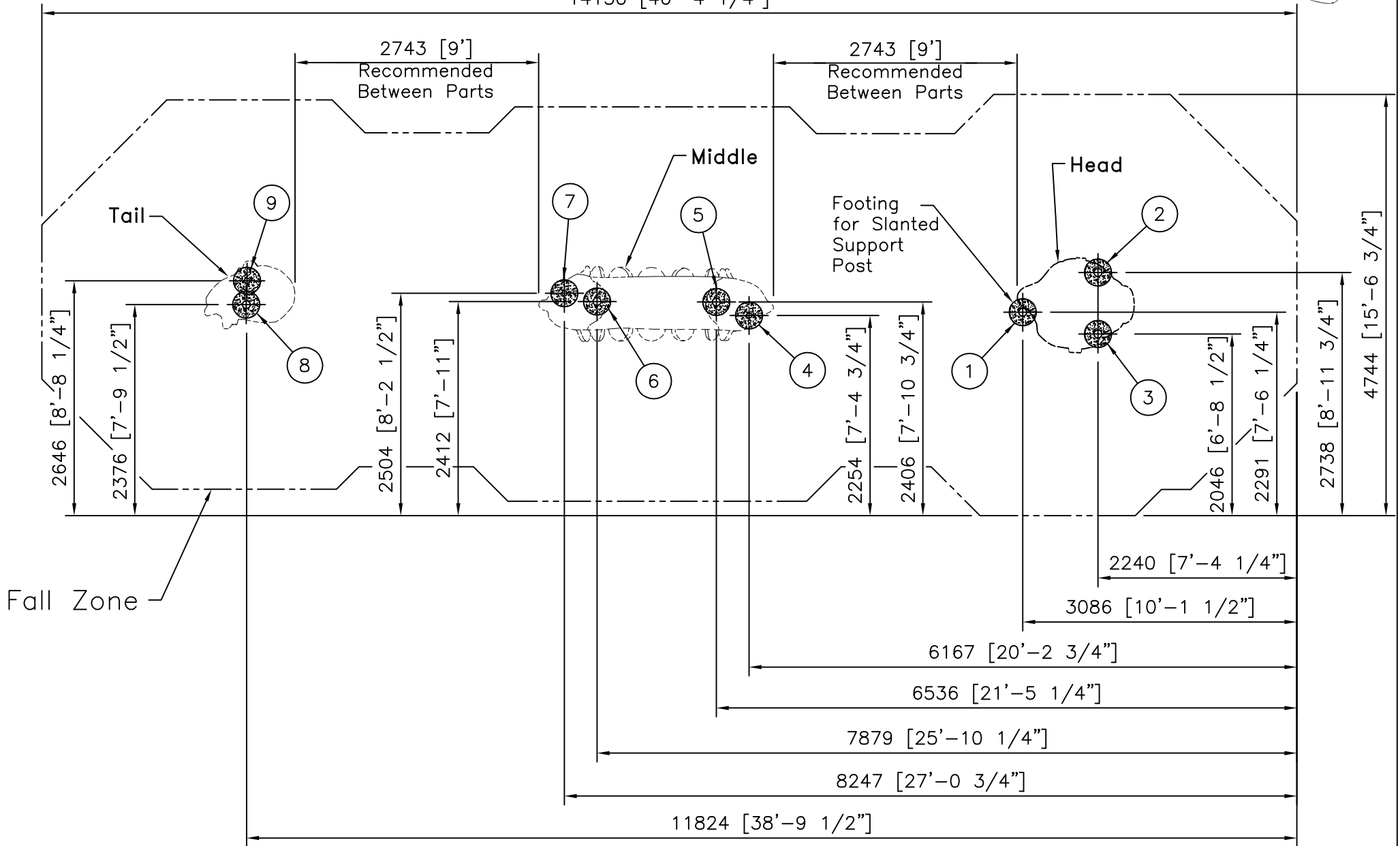
Footings:

- Use the chart on page 2 to calculate the appropriate hole depths (make sure to properly account for ground cover and brick thickness). Dig holes.
- Place bricks in the bottom of the footing holes and lower dragon components into the footings.
- Check for levelness of bottom of components (and for proper ground cover clearance) and complete footings.
- Install resilient surfacing (loose fill should be level with the top of the lip at the component bases).

FOOTING LAYOUT & FALL ZONE

AUTHORIZED BY:
Chris M. Newberry 20JAN04

14130 [46'-4 1/4"]



NOTE: Refer to sheet 2 for determining Footing Hole Depths for Holes 1 thru 9.