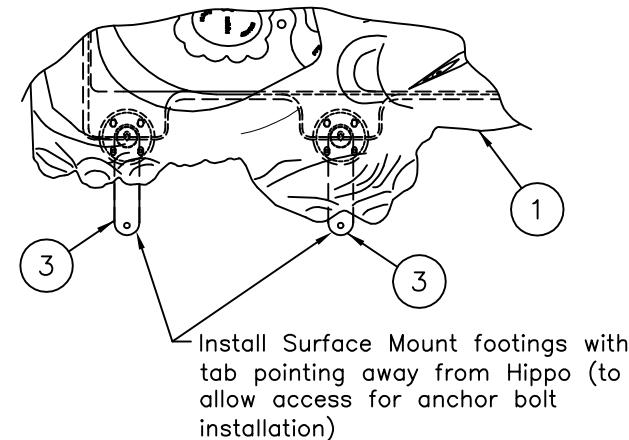


HIPPO SCULPTURE 200200177
HARDWARE BAG 200144014

| Item | Code | Description | Qty. |
|------|-----------|---------------------------------------|------|
| 1 | - | ASSY HIPPO | 1 |
| 2 | - | TONGUE FOR HIPPO | 1 |
| 3 | - | FOOT F/HIPPO | 4 |
| 4 | 200143959 | SCREW LAG HEX 3/8" X 5" 18-8 S.S. | 8 |
| 5 | 200143960 | SCREW LAG HEX 3/8" X 1-1/4" 18-8 S.S. | 8 |
| 6 | 200002079 | WASHER FLAT M11 23 X 12 X 1.6 | 20 |
| 7 | - | CAP HDWR COVER | 2 |
| 8 | - | CAP HDWR BASE | 2 |
| 9 | 200002145 | BOLT M8 X 1.25 FEMALE 10.3 X 30 MM | 2 |
| 10 | 200002138 | BOLT M8 X 1.25 MALE 42.5 MM | 2 |

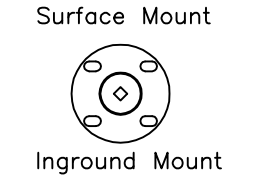
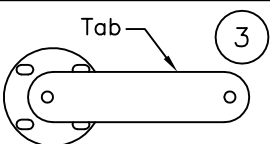
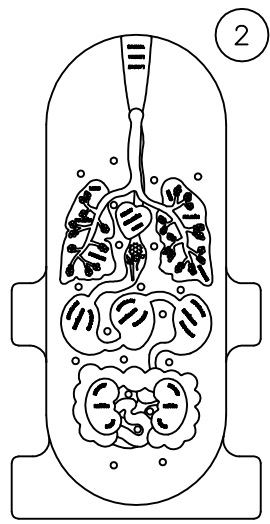
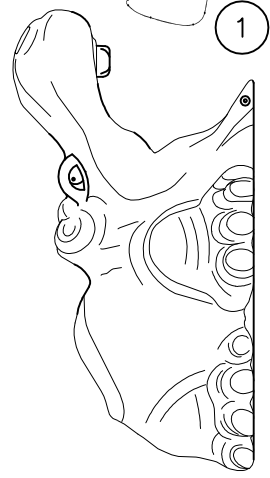
Application
- Recommended for age group 2 - 5 year olds

- Installation Instructions**
1. Prepare footings.
 2. Lay Hippo on its back and slide in tongue. Attach jaw as shown in DETAIL 1.
 3. Attach Foot Plates as shown in DETAILS 4 and 5. Attach Surface Mount footings with tabs pointing away from Hippo as shown in DETAIL 2. **NOTE:** the long lag screws go through the Foot Plate, through the tongue, and into the hippo (refer to DETAIL 3).
 4. Roll Hippo over.
 5. Install hardware covers.
 6. Complete footings and install resilient surfacing.



DETAIL 2 (Surface Mount Option)

AUTHORIZED BY: 04AUG03
Chris M. Newberry



NOTE: FOR UNDERSURFACING & FOOTINGS REFER TO SEPARATE INSTRUCTIONS

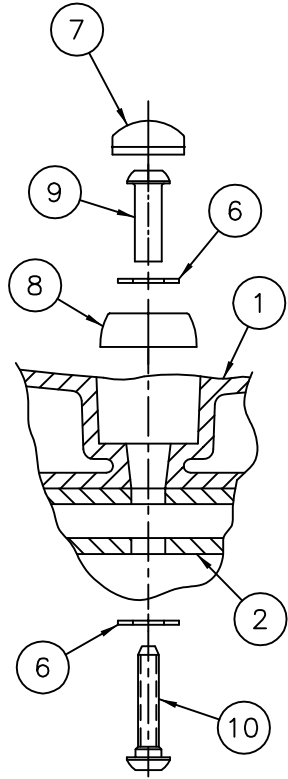


commercial play systems

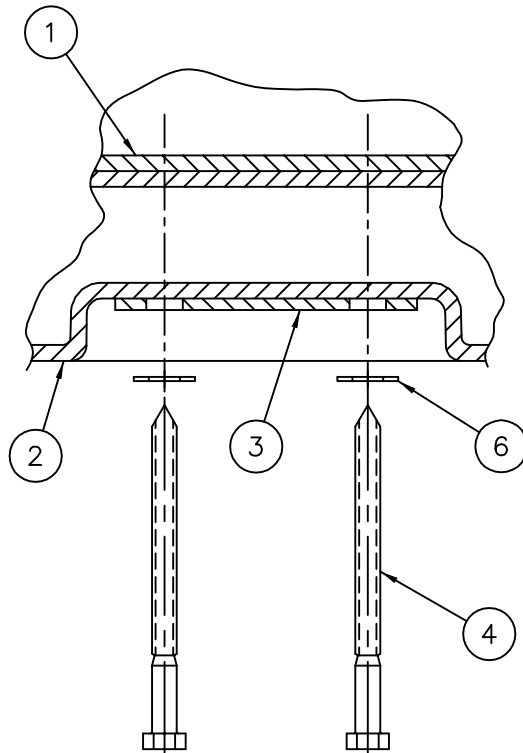
HIPPO SCULPTURE

200143156
1900024A-S2
Sheet 2 of 2

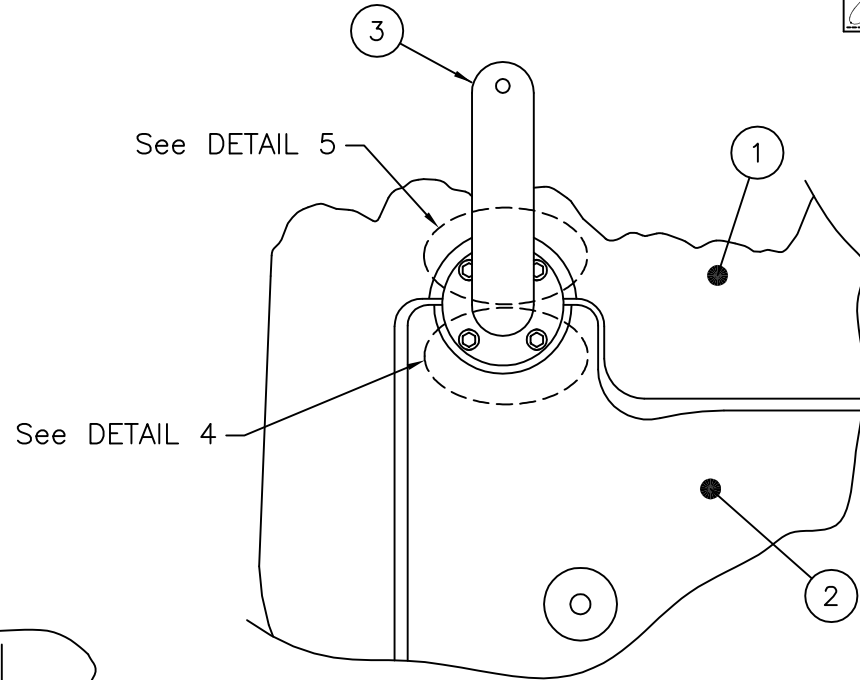
AUTHORIZED BY:
Chris M. Newberry 04AUG03



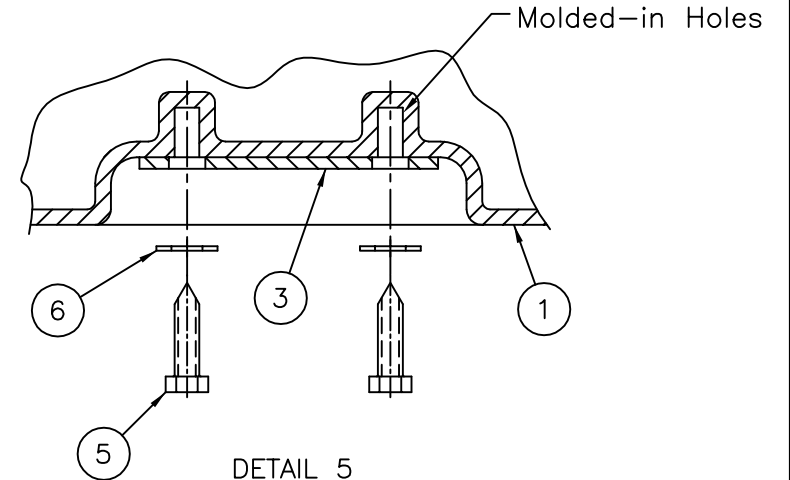
DETAIL 1
Typ 2 Places



DETAIL 4
Typ 4 Places



DETAIL 3



DETAIL 5
Typ 4 Places